



SILENSYS®



Acoustic and aesthetic solution for urban areas

Acoustic benchmark
Robustness and reliability
Enhanced safety



EQUIPMENT

ELECTRICAL COMPONENTS = ENHANCED SAFETY

- ▶ Magneto-thermal circuit breaker on the compressor
- ▶ Fan circuit breaker
- ▶ Pressure switch fault referral terminals
- ▶ Din Rail adapter accessible and with free length



CIRCUIT

- ▶ Isolation of the suction line
- ▶ Service valves on the reservoir bottle



FIXING

- ▶ Ensures the minimum distance between the condenser and the wall
- ▶ Direct access to the mounting feet
- ▶ Fixing on the ground and the wall with the original feet



ACOUSTICS

- ▶ Compressor isolated in a separate compartment
- ▶ Fan speed variation
- ▶ Muffler on the discharge
- ▶ Reduction of radiated noise by means of an insulated door
- ▶ Absorption of vibration through special bends on the copper tubes





Silensys®

LBP

R452A

MODEL NUMBER	REFRIGERATION OUTPUT 32° amb., 10K superheating, 3K subcooling, Mid/Mid						REFRIG. OUTPUT EN13215 Evap. T -35°C		Aco. P db(A)	Air flow m3/h	Liq. Rec. Vol.	Diam. for tubing O.D.		Net/ Gross weight kg	No. Dim	Maximum current according to voltage code		
	Evaporation temperature (°C):						Perf. (W)	COP (W/W)				Suc.	Liqu. Line			FZ	KZ	TZ
	-35°	-30°	-25°	-20°	-15°	-10°												
SILRG2426Z	315	412	530	671	836	1028	356	1.03	26	1650	0.75	3/8"	1/4"	61/78	S	3.7	na	na
SILRG2432Z	387	504	642	805	994	1211	439	1.08	27	1650	0.75	3/8"	1/4"	61/78	S	4.5	na	na
SILAJ2432Z	350	506	697	927	1198	1511	392	0.88	26	1650	1.50	1/2"	1/4"	71/88	S	6.2	na	na
SILAJ2440Z	429	601	806	1048	1331	1662	484	0.95	26	1650	1.50	1/2"	1/4"	70/87	S	6.0	na	na
SILRG2446Z	523	682	874	1101	1367	1674	594	1.12	27	1650	1.50	3/8"	1/4"	63/80	S	5.7	na	na
SILAJ2446Z	564	761	996	1276	1607	1996	643	1.03	26	1650	1.50	1/2"	3/8"	72/89	S	8.5	na	3.2
SILAJ2464Z	765	1026	1337	1699	2116	2589	867	1.02	27	1650	1.50	1/2"	3/8"	74/91	S	10.3	na	4.1
SILFH2480Z	1012	1403	1847	2345	2904	3532	1142	1.05	39	1650	2.35	5/8"	1/2"	74/95	M	17.3	11.7	6.6
SILFH2511Z	1350	1866	2481	3202	4037	4994	1415	0.98	44	2700	2.35	5/8"	1/2"	71/92	M	26.0	14.4	8.3
SILAG2513Z	1351	1962	2665	3464	4365	5387	1518	0.97	40	2970	3.90	7/8"	1/2"	103/119	M	na	20.4	9.3
SILAG2516Z	1756	2530	3424	4436	5566	6821	1970	1.16	38	2970	3.90	7/8"	1/2"	128/144	M	na	25.3	10.3
SILAG2519Z	2055	2891	3855	4945	6158	7505	2321	1.61*	na	2970	3.90	7/8"	1/2"	108/129	M	na	na	11.2
SILAG2522Z	2349	3250	4295	5486	6835	8366	2669	1.62*	40	2700	3.90	7/8"	1/2"	112/128	M	na	30.2	14.2
SILAG2525Z	2614	3591	4695	5930	7306	8850	2971	1.60*	44	2700	3.90	7/8"	1/2"	112/128	M	na	26.7	14.1
SILAGD2532Z	3488	5112	7061	9332	11903	14726	3900	1.65*	43	6600	9.50	1"1/8"	5/8"	236/257	XL	na	na	22.0
SILAGD2538Z	3972	5678	7728	10115	12803	15727	4491	1.66*	na	6600	9.50	1"1/8"	5/8"	236/257	XL	na	na	22.0
SILSH2534Z	4315	5849	7647	9729	12110	14812	4425	1.71*	44	5000	12.00	1"3/8"	5/8"	244/265	XL	na	na	16.2°
SILAGD2544Z	5002	6883	9147	11793	14795	18097	5725	1.72*	43	6600	9.50	1"1/8"	5/8"	252/273	XL	na	na	28.0

Statement of the seasonal COP / na: not applicable / ^a voltage code XC, ^b voltage code XG, ^c voltage code YZ, ^d voltage code MZ





Silensys®

LBP

R404A

MODEL NUMBER	REFRIGERATION OUTPUT 32° amb., 10K superheating, 3K subcooling						REFRIG. OUTPUT EN13215 Evap. T -35°C		Aco. P db(A)	Air flow m3/h	Liq. Rec. Vol.	Diam. for tubing O.D.		Net/ Gross weight kg	No. Dim	Maximum current according to voltage code		
	Evaporation temperature (°C):						Perf. (W)	COP (W/W)				Suc.	Liqu. Line			FZ	KZ	TZ
	-35°	-30°	-25°	-20°	-15°	-10°												
SILRG2426Z	268	359	470	601	754	930	331	0.89	26	1650	0.75	3/8"	1/4"	61/78	S	3.7	na	na
SILRG2432Z	351	457	586	739	916	1116	435	0.98	27	1650	0.75	3/8"	1/4"	61/88	S	4.5	na	na
SILAJ2432Z	380	531	714	931	1184	1476	469	1.03	26	1650	1.50	1/2"	1/4"	71/87	S	6.2	na	na
SILAJ2440Z	449	611	807	1037	1306	1618	555	1.01	26	1650	1.50	1/2"	1/4"	70/80	S	6.0	na	na
SILRG2446Z	467	612	786	992	1231	1506	579	1.02	27	1650	1.50	3/8"	1/4"	63/92	S	5.7	na	na
SILAJ2446Z	573	768	999	1270	1586	1951	712	1.07	26	1650	1.50	1/2"	3/8"	72/91	S	8.5	na	3.2
SILAJ2464Z	774	1033	1337	1688	2087	2532	957	1.09	27	1650	1.50	1/2"	3/8"	74/91	S	10.3	na	4.1
SILFH2480Z	1056	1429	1851	2324	2853	3441	1311	1.11	39	1650	2.35	5/8"	1/2"	74/91	M	17.3	11.7	6.6
SILFH2511Z	1357	1867	2472	3177	3988	4912	1688	1.13	44	2700	2.35	5/8"	1/2"	71/124	M	26.0	14.4	8.3
SILAG2513Z	1380	1974	2657	3427	4285	5238	1726	1.01	40	2970	3.90	7/8"	1/2"	103/144	M	na	20.4	9.3
SILAG2516Z	1786	2535	3409	4400	5498	6690	2225	1.67*	38	2970	3.90	7/8"	1/2"	128/124	M	na	25.3	10.3
SILAG2519Z	2030	2816	3731	4768	5913	7153	2540	1.67*	na	2970	3.90	7/8"	1/2"	108/133	M	na	na	11.2
SILAG2522Z	2396	3275	4295	5454	6749	8180	2991	1.70*	40	2700	3.90	7/8"	1/2"	112/128	M	na	30.2	14.2
SILAG2525Z	2619	3554	4614	5794	7092	8510	3276	1.66*	44	2700	3.90	7/8"	1/2"	112/252	M	na	26.7	14.1
SILAGD2532Z	3508	5096	7003	9220	11715	14422	4378	1.73*	43	6600	9.50	1 1/8"	5/8"	236/257	XL	na	na	22.0
SILSH2534Z-YZ	4406	5880	7583	9525	11716	14173	4950	1.86*	44	5000	12.00	1 3/8"	5/8"	244/265	XL	na	na	16.2 ^b
SILAGD2538Z	3999	5676	7686	10014	12613	15397	5009	1.74*	na	6600	9.50	1 1/8"	5/8"	236/272	XL	na	na	22.0
SILAGD2544Z	4551	6328	8453	10905	13620	16485	5710	1.76*	43	6600	9.50	1 1/8"	5/8"	252/286	XL	na	na	28.0

Statement of the seasonal COP / na: not applicable / ^a voltage code XC, ^b voltage code XG, ^c voltage code YZ, ^d voltage code MZ

For information, the cooling capacity of fluids R449A and R448A: at the evaporation point $T_o = -30^\circ\text{C}$, SH10K, apply the multiplier ratio 0.94 to the cooling capacities read with R404A.





Silensys®

MHBP

R452A

MODEL NUMBER	REFRIGERATION OUTPUT 32° amb., 10K superheating, 3K subcooling, Mid/Mid							REFRIG. OUTPUT EN13215 Evap. T -10°C		Aco. P db(A)	Air flow m3/h	Liq. Rec. Vol.	Diam. for tubing O.D.		Net/ Gross weight kg	No. Dim	Maximum current according to voltage code		
	Evaporation temperature (°C):							Perf. (W)	COP (W/W)				Suc.	Liqu. Line			FZ	KZ	TZ
	-25°	-15°	-10°	-5°	0°	5°	15°												
SILAE4450Z	368	638	805	1004	1237	1506	2167	820	1.78	27	1620	0.75	3/8"	1/4"	73/87	S	5.4	na	na
SILAE4460Z	470	771	957	1178	1436	1735	2470	981	1.84	27	1620	0.75	3/8"	1/4"	72/86	S	6.2	na	na
SILRG4467Z	498	800	986	1206	1462	1757	2478	1013	2.16	26	1650	0.75	3/8"	1/4"	62/79	S	4.8	na	na
SILRG4480Z	595	951	1170	1429	1730	2079	2941	1203	2.20	26	1650	1.50	3/8"	3/8"	62/79	S	5.6	na	na
SILAJ9480Z	607	1027	1286	1590	1943	2348	3329	1316	1.90	28	1650	1.50	1/2"	3/8"	70/87	S	7.0	na	3.7
SILRG4492Z	669	1066	1307	1591	1918	2294	3204	1350	2.21	26	1650	1.50	1/2"	3/8"	63/80	S	6.2	na	na
SILAJ9510Z	758	1252	1554	1908	2318	2789	3942	1600	1.86	26	1650	1.50	5/8"	3/8"	72/89	S	8.7	na	4.1
SILRG4512Z	836	1329	1628	1977	2378	2836	3934	1681	2.20	26	1650	1.50	1/2"	3/8"	65/82	S	7.0	na	na
SILAJ9513Z	914	1568	1968	2432	2963	3566	5005	2021	2.08	26	1650	1.50	5/8"	3/8"	74/91	S	11.6	na	4.7
SILAJ4517Z	1008	1689	2094	2562	3097	3711	5216	2171	1.96	27	1650	2.35	5/8"	3/8"	73/92	S	13.0	6.3	4.7
SILAJ4519Z	1226	2093	2596	3171	3828	4587	6519	2708	1.72	28	1650	2.35	5/8"	3/8"	74/91	S	15.5	11.2	6.5
SILFH4524Z	1319	2439	3122	3911	4807	5821	8236	3213	1.82	35	2700	2.35	5/8"	1/2"	69/90	M	20.8	11.1	8.9
SILFH4531Z	1797	3150	3947	4868	5922	7129	10089	4092	1.90	45	2700	3.90	7/8"	1/2"	72/93	M	24.0	14.6	9.4
SILAW4538Z	2174	3851	4814	5877	7027	8267	11132	5008	2.98*	38	2700	3.90	7/8"	1/2"	80/111	M	27.0 ^a	na	9.7 ^b
SILAG4546Z	2306	4485	5791	7249	8873	10703	15357	5957	2.66*	46	5940	6.00	7/8"	1/2"	128/143	L	na	23.7	14.9
SILAG4553Z	2712	5259	6774	8458	10326	12418	17663	6956	2.72*	48	5940	6.00	7/8"	5/8"	133/149	L	na	27.8	15.6
SILAG4561Z	3123	5763	7276	8933	10765	12843	18374	7550	2.60*	47	5940	6.00	1 1/8"	5/8"	134/149	L	na	30.0	16.9
SILAG4568Z	3900	6941	8738	10745	12998	15766	22218	9047	2.75*	43	5940	6.00	1 1/8"	5/8"	138/153	L	na	36.0	19.4
SILAG4573Z	4297	7392	9228	11267	13534	16083	22551	9595	2.59*	42	5940	6.00	1 1/8"	5/8"	139/154	L	na	33.0	20.6
SILAG4581Z	4728	8333	10448	12783	15345	18157	24773	10813	2.59*	42	5400	6.00	1 1/8"	5/8"	145/154	L	na	39.0	22.0
SILAGD4590Z	4621	8988	11750	14884	18351	22082	30018	12034	3.06*	47	6600	9.50	1 1/8"	5/8"	246/267	XL	na	na	25.0
SILAGD4610Z	5252	10038	13002	16321	19936	23756	31589	13381	3.00*	47	6600	9.50	1 1/8"	7/8"	249/270	XL	na	na	29.0
SILSH4591Z	6469	10317	13317	15411	18461	21862	na	13192	3.29*	na	6600	12	1 3/8"	5/8"	244/264	XL	na	na	15.1 ^c
SILAGD4612Z	6111	12232	14352	17852	21514	25375	33102	14858	2.92*	48	6600	12	1 3/8"	7/8"	253/274	XL	na	na	32.0
SILAGD4614Z	7381	12937	16356	20135	24158	28253	36338	17045	2.94*	45	6600	12	1 3/8"	7/8"	256/277	XL	na	na	37.0
SILAGD4615Z	8081	13829	17286	21048	24986	28917	36431	18100	2.76*	45	6600	12	1 3/8"	7/8"	257/278	XL	na	na	39.0

Statement of the seasonal COP / na: not applicable^a voltage code XC, ^b voltage code XG, ^c voltage code YZ, ^d voltage code MZ





Silensys®

MHBP

R404A

MODEL NUMBER	REFRIGERATION OUTPUT 32° amb., 10K superheating, 3K subcooling							REFRIG. OUTPUT EN13215 Evap. T -10°C		Aco. P db(A)	Air flow m3/h	Liq. Rec. Vol.	Diam. for tubing O.D.		Net/ Gross weight kg	No. Dim	Maximum current according to voltage code		
	Evaporation temperature (°C):							Perf. (W)	COP (W/W)				Suc.	Liqu. Line			FZ	KZ	TZ
	-25°	-15°	-10°	-5°	0°	5°	15°												
SILAE4450Z	370	627	790	980	1199	1450	2065	870	1.81	27	1620	0.75	3/8"	1/4"	73/90	S	5.4	na	na
SILRG4467Z	456	729	906	1114	1353	1628	2299	999	2.07	26	1650	0.75	3/8"	1/4"	62/79	S	4.8	na	na
SILAE4460Z	476	762	942	1152	1394	1673	2354	1039	1.87	27	1620	0.75	3/8"	1/4"	72/89	S	6.2	na	na
SILRG4480Z	559	888	1101	1349	1635	1963	2763	1214	2.09	26	1650	1.50	3/8"	3/8"	62/79	S	5.6	na	na
SILRG4492Z	625	988	1220	1488	1797	2149	3010	1349	2.15	26	1650	1.50	1/2"	3/8"	63/80	S	6.2	na	na
SILAJ9480Z	614	1014	1266	1556	1888	2265	3172	1396	1.93	28	1650	2.35	1/2"	3/8"	70/87	S	7.0	na	3.7
SILAJ9510Z	768	1248	1549	1894	2286	2730	3793	1710	1.95	26	1650	2.35	5/8"	3/8"	72/89	S	8.7	na	4.1
SILRG4512Z	811	1279	1570	1901	2277	2703	3730	1736	2.19	26	1650	1.50	1/2"	3/8"	65/82	S	7.0	na	na
SILAJ9513Z	886	1518	1894	2313	2780	3298	4515	2094	2.05	26	1650	2.35	5/8"	3/8"	74/91	S	11.6	na	4.7
SILAJ4517Z	1016	1671	2066	2512	3012	3575	4941	2296	1.97	27	1650	2.35	5/8"	3/8"	73/90	S	13.0	6.3	4.7
SILAJ4519Z	1223	2068	2562	3108	3719	4408	6141	2860	1.73	28	1650	2.35	5/8"	3/8"	74/91	S	15.5	11.2	6.5
SILFH4524Z	1316	2397	3064	3817	4658	5593	7793	3405	1.85	35	2970	2.35	5/8"	1/2"	69/90	M	20.8	11.1	8.9
SILFH4531Z	1809	3112	3892	4767	5747	6847	9517	4333	1.93	45	2970	3.90	7/8"	1/2"	72/93	M	24.0	14.6	9.4
SILAW4538Z	2203	3774	4704	5724	6828	8007	10621	5239	2.97*	38	2970	3.90	7/8"	1/2"	80/101	M	27.0*	na	9.7*
SILAG4546Z	2348	4317	5543	6931	8485	10212	14292	6158	2.65*	46	5940	6.00	7/8"	5/8"	128/144	L	na	23.7	14.9
SILAG4553Z	2838	5097	6499	8087	9866	11845	16509	7206	2.70*	48	5940	6.00	7/8"	5/8"	133/149	L	na	27.8	15.6
SILAG4561Z	3227	5562	6976	8562	10327	12288	16972	7773	2.58*	47	5940	6.00	1*1/8"	5/8"	134/150	L	na	30.0	16.9
SILAG4568Z	3993	6733	8412	10313	12450	14851	20688	9352	2.73*	43	5940	6.00	1*1/8"	5/8"	138/154	L	na	36.0	19.4
SILAG4573Z	4347	7177	8900	10831	12980	15363	21042	9912	2.57*	42	5940	6.00	1*1/8"	5/8"	139/155	L	na	33.0	20.6
SILAG4581Z	4738	8103	10097	12304	14722	17353	23332	11208	2.58*	42	5400	6.00	1*1/8"	5/8"	145/161	L	na	39.0	22.0
SILAGD4590Z	4545	8769	11430	14447	17779	21364	28970	12674	3.10*	47	6600	9.50	1*1/8"	5/8"	246/267	XL	na	na	25.0
SILSH4591Z	6462	10228	12510	15065	17899	21016	na	13215	3.15*	na	6600	9.50	1*3/8"	5/8"	244/264	XL	na	na	15.1°
SILAGD4610Z	5181	9819	12683	15885	19372	23056	30582	14087	3.04*	47	6600	9.50	1*1/8"	7/8"	249/270	XL	na	na	29.0
SILAGD4612Z	6064	11025	14037	17368	20949	24673	32059	15622	2.95*	48	6600	12.00	1*3/8"	7/8"	253/274	XL	na	na	32.0
SILAGD4614Z	7385	12735	16024	19658	23529	27468	34966	17893	2.96*	45	6600	12.00	1*3/8"	7/8"	256/277	XL	na	na	37.0
SILAGD4615Z	8093	13654	16995	20631	24439	28238	35112	19007	2.78*	45	6600	12.00	1*3/8"	7/8"	257/278	XL	na	na	39.0

Statement of the seasonal COP / na : not applicable

For information, the cooling capacity of fluids R449A and R448A: at the evaporation point $T_o = -30^\circ\text{C}$, SH10K, apply the multiplier ratio 0.94 to the cooling capacities read with R404A.





Silensys®

MHBP

R513A

MODEL NUMBER	REFRIGERATION OUTPUT 32° amb., 10K superheating, 3K subcooling							REFRIG. OUTPUT EN13215 Evap. T -10°C		Aco. P db(A)	Air flow m3/h	Liq. Rec. Vol.	Diam. for tubing O.D.		Net/ Gross weight kg	No. Dim	Maximum current according to voltage code		
	Evaporation temperature (°C)							Perf. (W)	COP (W/W)				Suc.	Liqu. Line			FZ	KZ	TZ
	-15°	-10°	-5°	0°	5°	10	15°												
SILAE4450Y	616	773	959	1178	1435	1734	2079	835	1.66	28	1650	0.75	3/8"	1/4"	73/87	S	4.9	na	na
SILAJ4461Y	691	885	1117	1391	1712	2083	2507	957	1.74	26	1650	1.50	1/2"	1/4"	68/85	S	6.1	na	2.5
SILAJ4476Y	798	1032	1306	1626	1999	2429	2922	1117	1.98	26	1650	1.50	1/2"	3/8"	70/79	S	7.2	na	na
SILAJ4492Y	1035	1323	1656	2036	2466	2947	3480	1430	1.94	26	1650	1.50	1/2"	3/8"	70/87	S	9.2	na	3.1
SILAJ4511Y	1329	1675	2065	2503	2987	3516	4089	1815	2.10	27	1650	1.50	5/8"	3/8"	72/89	S	8.9	na	3.9
SILFH4518Y	1685	2231	2863	3590	4416	5347	6387	2421	1.79	33	2970	2.35	5/8"	3/8"	85/106	M	12.4	8.1	5.4
SILFH4525Y	2377	3026	3776	4634	5606	6699	7919	3297	1.92	40	2970	2.35	5/8"	3/8"	87/108	M	16.4	13.1	7.9
SILAG4528Y	2958	3788	4716	5749	6897	8179	9620	4106	2.54	39	2970	3.90	7/8"	1/2"	102/123	M	na	24.8	10.8
SILAG4534Y	3173	4135	5226	6453	7820	9331	10992	4486	2.33	37	2970	3.90	7/8"	1/2"	104/126	M	na	24.8	10.6
SILAG4537Y	3608	4698	5936	7330	8893	10636	12584	5092	2.36	37	2970	3.90	7/8"	1/2"	104/125	M	na	24.8	10.2
SILAG4543Y	3968	5168	6515	8018	9687	11538	13596	5603	3.02*	38	2970	3.90	7/8"	1/2"	107/128	M	na	24.8	11.5
SILAG4547Y	4325	5606	7062	8700	10523	12531	14723	6078	2.63*	37	2970	3.90	7/8"	1/2"	107/128	M	na	24.8	11.3
SILAGD4556Y	5950	7738	9763	12036	14576	17406	20570	8364	3.32*	43	6600	9.50	1 1/8"	5/8"	234/255	XL	na	na	22.3
SILAGD4568Y	6371	8425	10801	13507	16528	19824	23329	9127	3.14*	42	6600	9.50	1 1/8"	5/8"	236/257	XL	na	na	21.9
SILAGD4574Y	6992	9163	11652	14478	17651	21176	25051	9935	2.96*	42	6600	9.50	1 1/8"	5/8"	246/267	XL	na	na	23.0
SILAGD4586Y	7852	10358	12232	16489	20124	24119	28436	11232	3.31*	42	6600	9.50	1 1/8"	5/8"	246/267	XL	na	na	24.0

Statement of the seasonal COP / na: not applicable

MHBP

R134a

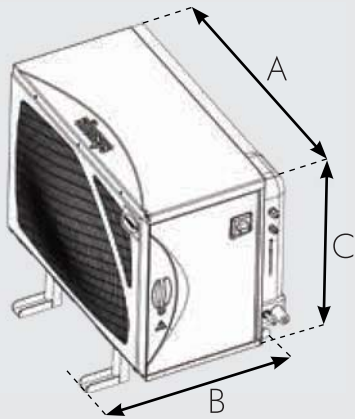
Silensys®

MODEL NUMBER	REFRIGERATION OUTPUT 32° amb., 10K superheating, 3K subcooling, Mid/Mid							REFRIG. OUTPUT EN13215 Evap. T -10°C		Aco. P db(A)	Air flow m3/h	Liq. Rec. Vol.	Diam. for tubing O.D.		Net/ Gross weight kg	No. Dim	Maximum current according to voltage code		
	Evaporation temperature (°C):							Perf. (W)	COP (W/W)				Suc.	Liqu. Line			FZ	KZ	TZ
	-15°	-10°	-5°	0°	5°	10	15°												
SILRG4445Y	414	530	674	846	1048	1283	1550	566	1.79	26	1650	0.75	3/8"	1/4"	61/78	S	3.9	na	na
SILRG4450Y	504	644	815	1020	1262	1544	1868	688	1.76	26	1650	0.75	3/8"	1/4"	61/78	S	4.2	na	na
SILRG4460Y	560	713	902	1133	1409	1736	2119	762	1.84	26	1650	0.75	1/2"	1/4"	62/79	S	4.6	na	na
SILAE4450Y	571	730	918	1138	1395	1691	2032	780	1.90	27	1620	0.75	3/8"	1/4"	73/87	S	4.9	na	na
SILAJ4461Y	633	827	1060	1338	1666	2049	2493	883	1.71	26	1650	1.50	1/2"	1/4"	68/85	S	6.1	na	2.5
SILRG4476Y	734	932	1169	1447	1768	2136	2553	996	1.96	26	1650	1.50	1/2"	3/8"	62/79	S	5.8	na	na
SILAJ4476Y	740	975	1250	1571	1943	2369	2856	1043	1.71	26	1650	1.50	1/2"	3/8"	70/87	S	7.2	na	na
SILAJ4492Y	947	1235	1571	1960	2404	2908	3474	1319	1.91	26	1650	1.50	1/2"	3/8"	70/87	S	9.2	na	3.1
SILAJ4511Y	1220	1568	1967	2418	2924	3486	4105	1679	2.08	27	1650	1.50	5/8"	3/8"	72/89	S	8.9	na	3.9
SILFH4518Y	1548	2091	2730	3473	4330	5308	6421	2242	1.76	33	2700	2.35	5/8"	3/8"	85/106	M	12.4	8.1	5.4
SILFH4525Y	2190	2848	3616	4504	5523	6686	8012	3062	1.89	40	2700	2.35	5/8"	3/8"	87/108	M	16.4	13.1	7.9
SILAG4528Y	1956	2851	3904	5093	6397	7805	9313	3048	2.01	39	2700	3.90	7/8"	1/2"	102/123	M	na	24.8	10.8
SILAG4534Y	2693	3705	4910	6282	7792	9413	11117	3964	2.20	37	2700	3.90	7/8"	1/2"	104/126	M	na	24.8	10.6
SILAG4537Y	3203	4332	5685	7235	8955	10823	12819	4632	2.29	37	2700	3.90	7/8"	1/2"	104/125	M	na	24.8	10.2
SILAG4543Y	3353	4489	5910	7578	9455	11509	13716	4801	2.24	38	2700	3.90	7/8"	1/2"	107/128	M	na	24.8	11.5
SILAG4547Y	3968	5249	6727	8412	10313	12440	14808	5623	2.61	37	2700	3.90	7/8"	1/2"	107/128	M	na	na	11.3
SILAGD4556Y	3935	5809	8048	10602	13424	16474	19725	6197	2.56	43	6600	9.50	1 1/8"	5/8"	234/255	XL	na	na	21.0
SILAGD4568Y	5404	7530	10108	13078	16362	19858	23438	8048	2.88	42	6600	9.50	1 1/8"	5/8"	236/256	XL	na	na	23.0
SILAGD4574Y	6242	8474	11180	14302	17775	21528	25479	9063	2.81	42	6600	9.50	1 1/8"	5/8"	246/266	XL	na	na	21.0
SILAGD4586Y	6645	8995	11983	15536	19561	23948	28574	9621	2.96	42	6600	9.50	1 1/8"	5/8"	246/267	XL	na	na	24.0

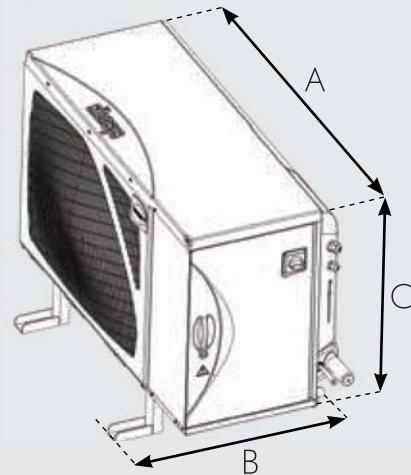
na: not applicable

DIMENSIONS

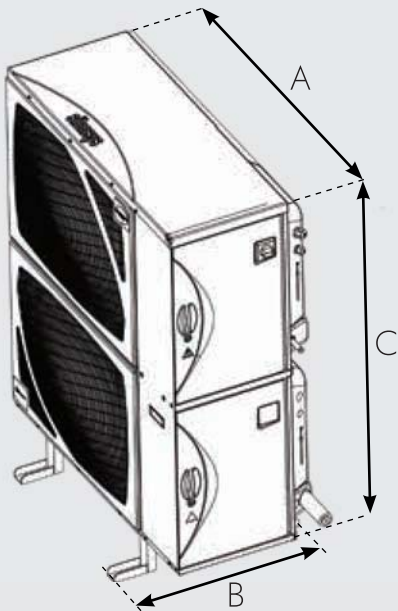
Silensys®



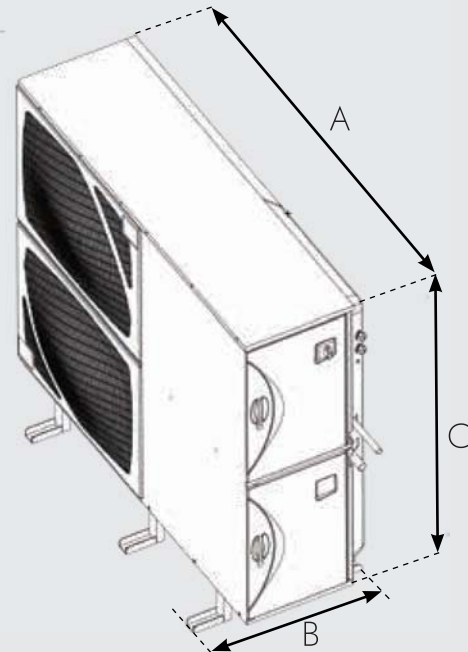
SIZE S







SIZE M



SIZE L



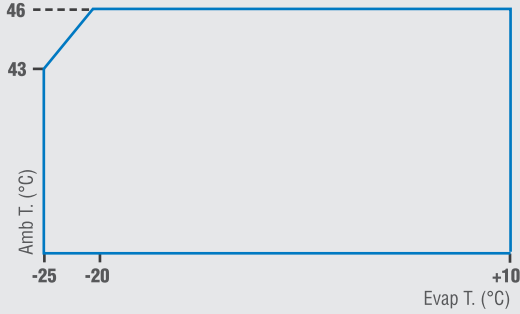
SIZE XL

		A	B	C
	S	942	654	837
	M	1174	654	837
	L	1209	654	1465
	XL	1666	654	1457

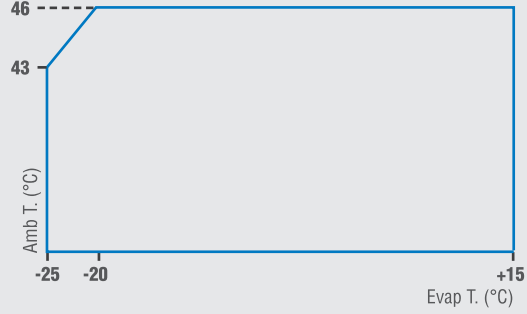
APPLICATION WINDOWS

LBP R452A R404A

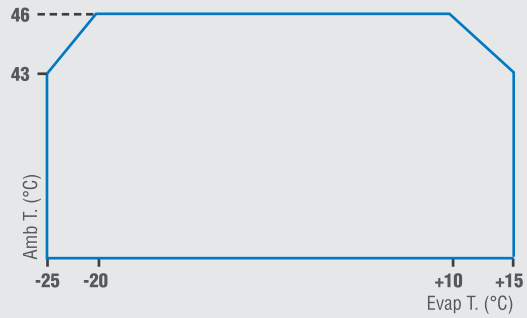
MHBP R452A R404A



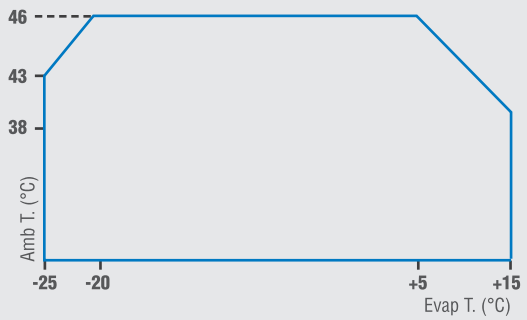
MODEL NUMBER
SIL RG 2426 Z
SIL RG 2432 Z
SIL RG 2446 Z
SIL AJ 2432 Z
SIL AJ 2440 Z
SIL AJ 2446 Z
SIL AJ 2464 Z
SIL FH 2480 Z
SIL FH 2511 Z
SIL AG 2513 Z
SIL AG 2516 Z
SIL AG 2519 Z
SIL AG 2522 Z
SIL AG 2525 Z
SIL AGD 2532 Z
SIL AGD 2538 Z
SIL AGD 2544 Z
SIL SH 2534 Z



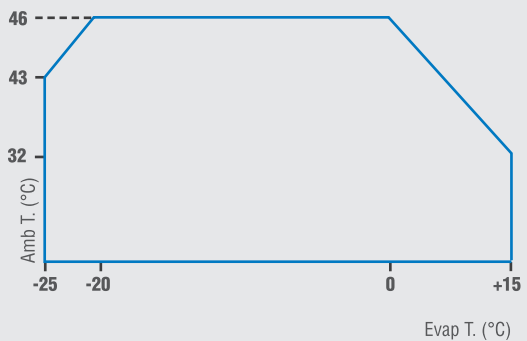
MODEL NUMBER
SIL AE 4450 Z
SIL AE 4460 Z
SIL RG 4467 Z
SIL RG 4480 Z
SIL RG 4492 Z
SIL RG 4512 Z
SIL AJ 9480 Z
SIL AJ 9510 Z
SIL AJ 9513 Z



MODEL NUMBER
SIL AJ 4517 Z
SIL FH 4524 Z
SIL AG 4553 Z
SIL AG 4581 Z
SIL AGD 4590 Z

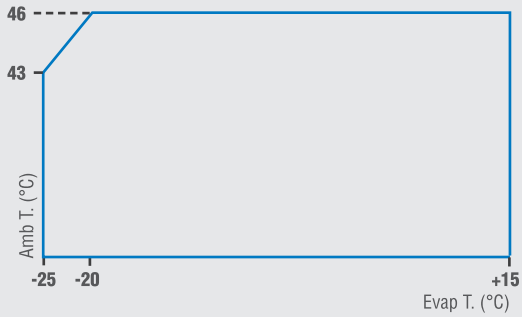


MODEL NUMBER
SIL AJ 4519 Z
SIL FH 4531 Z
SIL AW 4538 Z
SIL AG 4546 Z
SIL AG 4561 Z
SIL AG 4568 Z
SIL AG 4573 Z
SIL AGD 4610 Z
SIL AGD 4612 Z



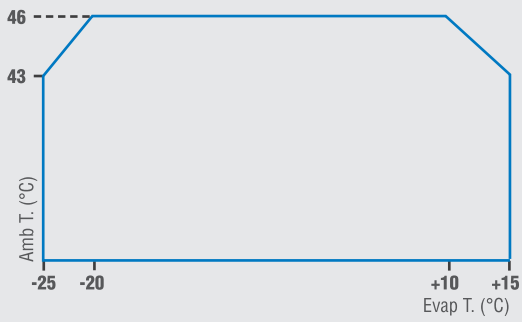
MODEL NUMBER
SIL AGD 4614 Z
SIL AGD 4615 Z
SIL SH 4591 Z

MHBP R513A R134a



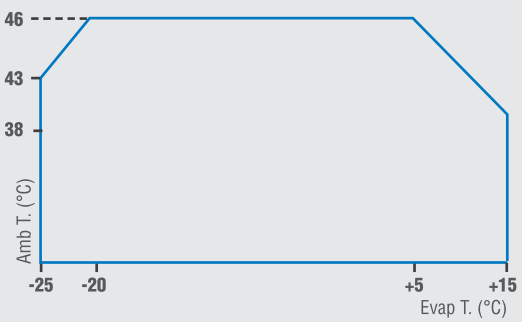
MODEL NUMBER

- SIL RG 4445 Y
- SIL RG 4450 Y
- SIL RG 4460 Y
- SIL RG 4476 Y
- SIL AE 4450 Y
- SIL AJ 4461 Y
- SIL AJ 4476 Y
- SIL AJ 4492 Y
- SIL AGD 4556 Y
- SIL AGD 4568 Y
- SIL AGD 4574 Y



MODEL NUMBER

- SIL AJ 4511 Y
- SIL FH 4518 Y
- SIL AG 4528 Y
- SIL AG 4534 Y
- SIL AG 4537 Y
- SIL AG 4543 Y
- SIL AG 4547 Y
- SIL AGD 4586 Y



MODEL NUMBER

- SIL FH 4525 Y





Plug & Play power variation

Acoustic level of the SILENSYS®

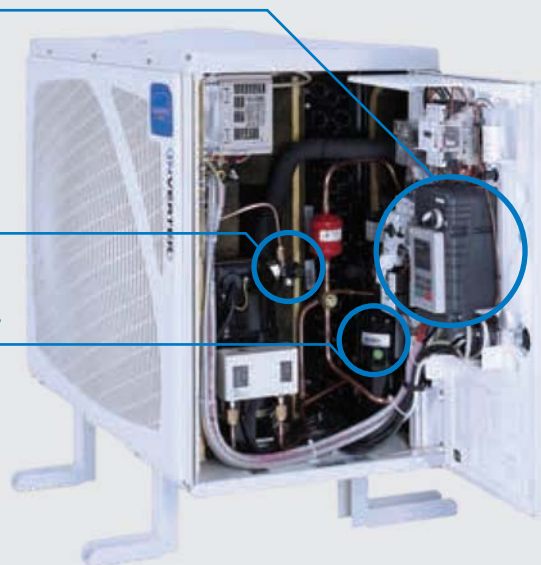
REGULATION OF THE REFRIGERATING SYSTEM:

- ▶ Dual control, inverter/pressure-actuated mode, ensuring continuity of the cold without additional wiring
- ▶ Variation of capacity thanks to a frequency variator
- ▶ Supply of 2 or 3 evaporators
- ▶ Energy efficiency: the capacity variation permits balanced energy and optimum efficiency: reduction of power consumption by up to 25%
- ▶ Precise regulation ensuring better temperature and humidity control

Controller and other electrical components grouped together on the door

Cabled transducer

Fan speed controller





**SILENSYS[®]
INVERTER**

MHBP

R452A

Silensys® Inverter

MODEL NUMBER	Freq.	REFRIGERATION OUTPUT 32° amb., 10K superheating, 3K subcooling, Mid/Mid Evaporation temperature (°C):							REFRIG. OUTPUT EN13215 Evap. T -35°C		Acc. P db(A)	Air flow m3/h	Liq. Rec. Vol.	Diam. for tubing O.D.		Net/ Gross weight kg	No. Dim	Max. current according to voltage code
		-25°	-15°	-10°	-5°	0°	5°	15°	Perf. (W)	COP (W/W)				Suc.	Liqu. Line			TZ
		SILAJV9513Z	60 30	986 514	1724 899	2176 1135	2688 1402	3261 1702	3901 2035	5308 2818				2429	2.00			26
SILAJV4517Z	60 30	1061 583	1871 1049	2336 1326	2848 1636	3413 1982	4042 2370	5697 3294	2459	1.86	27	1650	2.35	5/8"	3/8"	92/110	S	5.1
SILFHV4524Z	60 30	1457 800	2717 1524	3458 1968	4280 2468	5191 3025	6199 3639	8808 5060	3624	1.80	35	2700	2.35	5/8"	1/2"	74/95	M	9.1
SILFHV4531Z	60 30	1982 1097	3499 1985	4353 2512	5294 3100	6342 3755	7521 4485	10701 6214	4599	1.82	45	2700	3.90	7/8"	1/2"	78/93	M	10.4
SILFHV4540Z	60 30	2680 1489	4573 2612	5627 3265	6752 3985	7951 4776	9230 5646	12442 7675	5964	1.75*	40	2700	6.00	7/8"	1/2"	101/116	M	14.1
SILAGV4546Z	60 30	2568 1412	4798 2708	6112 3508	7558 4412	9142 5426	10872 6555	15284 9213	6403	1.83*	46	5940	6.00	7/8"	1/2"	133/148	L	14.6
SILAGV4553Z	60 30	3098 1706	5698 3219	7212 4142	8875 5182	10694 6343	12684 7635	17773 10665	7544	1.90*	47	5940	6.00	7/8"	5/8"	150/166	L	16.4
SILAGV4568Z	60 30	4407 2447	7529 4294	9328 5416	11302 6678	13470 8093	15858 9673	22079 13424	9842	2.01*	43	5940	6.00	1*1/8	5/8"	133/148	L	20.2
SILSHV4610V	60 30	8936 4964	13816 7676	16615 9231	19747 10970	23866 13259	25428 14126	na	18252	2.45*	na	5000	12.00	1*3/8	7/8"	260/280	XL	20.0

Statement of the seasonal COP / na: not applicable

For information, the cooling capacity of fluids R449A and R448A: at the evaporation point To = -30°C, SH10K, apply the multiplier ratio 0.94 to the cooling capacities read with R404A.

MHBP

R404A

Silensys® Inverter

MODEL NUMBER	Freq.	REFRIGERATION OUTPUT 32° amb., 10K superheating, 3K subcooling Evaporation temperature (°C):							REFRIG. OUTPUT EN13215 Evap. T -10°C		Acc. P db(A)	Air flow m3/h	Liq. Rec. Vol.	Diam. for tubing O.D.		Net/ Gross weight kg	No. Dim	Max. current according to voltage code
		-25°	-15°	-10°	-5°	0°	5°	15°	Perf. (W)	COP (W/W)				Suc.	Liqu. Line			TZ
		SILAJV9513Z	60 30	959 524	1676 931	2107 1184	2591 1472	3129 1797	3728 2162	5141 2973				2312	1.77			26
SILAJV4517Z	60 30	1146 629	1940 1083	2405 1358	2924 1668	3504 2016	4156 2404	5728 3264	2648	1.61	27	1650	2.35	5/8"	3/8"	92/110	S	5.1
SILFHV4524Z	60 30	1485 815	2705 1511	3427 1943	4233 2431	5127 2975	6122 3578	8474 4883	3787	1.59	35	2700	2.35	5/8"	1/2"	74/95	M	9.1
SILFHV4531Z	60 30	2031 1126	3493 1975	4326 2487	5246 3059	6271 3697	7424 4406	10236 5961	4795	1.61	45	2700	3.90	7/8"	1/2"	78/93	M	10.3
SILFHV4540Z	60 30	2717 1506	4539 2582	5574 3220	6684 3925	7868 4698	9126 5541	11915 7329	6182	1.72	40	2700	3.90	7/8"	1/2"	95/116	M	10.4
SILAGV4546Z	60 30	2654 1458	4846 2723	6159 3518	7607 4417	9187 5421	10899 6529	14774 8916	6804	2.46*	46	5940	6.00	7/8"	1/2"	133/148	L	14.6
SILAGV4553Z	60 30	3203 1762	5731 3223	7239 4138	8907 5174	10735 6331	12732 7613	17309 10390	7981	2.57*	47	5940	6.00	7/8"	5/8"	150/166	L	16.4
SILAGV4568Z	60 30	4768 2657	7516 4278	9229 5347	11152 6573	13274 7947	15590 9462	20845 12671	10214	2.77*	43	5940	6.00	1*1/8	5/8"	133/148	L	20.2
SILSHV4610Z	60 30	9469 5214	14769 8409	17352 10342	19899 12510	22425 14919	24953 17580	na	18303	3.63*	na	5000	12.00	1*3/8	7/8"	260/281	XL	20.0

Statement of the seasonal COP / na: not applicable



Silensys® Inverter

MHBP

R513A

MODEL NUMBER	Freq.	REFRIGERATION OUTPUT 32° amb., 10K superheating, 3K subcooling							REFRIG. OUTPUT EN13215 Evap. T -10°C		Acc. P db(A)	Air flow m3/h	Liq. Rec. Vol.	Diam. for tubing O.D.		Net/ Gross weight kg	No. Dim	Max. current according to voltage code
		Evaporation temperature (°C):							Perf. (W)	COP (W/W)				Suc.	Liqu. Line			TZ
		-15°	-10°	-5°	0°	5°	10°	15°										
SILAJV4492Y	60	1095	1438	1825	2258	2743	3285	3886	1557	1.92	26	1650	1.50	1/2"	3/8"	90/107	S	3.1
	30	592	781	999	1246	1529	1850	2213	844	2.12								
SILAJV4511Y	60	1435	1819	2252	2734	3273	3870	4527	1974	1.74	27	1650	1.50	5/8"	3/8"	91/108	S	4.2
	30	784	1002	1253	1536	1856	2218	2621	1084	1.99								
SILFHV4518Y	60	2063	2641	3321	4113	5030	6088	7299	2867	1.77	33	2700	2.35	5/8"	3/8"	85/106	M	5.8
	30	1127	1458	1850	2311	2849	3470	4180	1575	1.98								
SILFHV4525Y	60	2822	3530	4329	5227	6241	7386	8678	3846	2.11	40	2700	2.35	5/8"	3/8"	71/92	M	8.5
	30	1559	1972	2446	2986	3603	4304	5099	2137	2.41								
SILAGV4534Y	60	3236	4364	5691	7178	8792	10502	12263	4738	2.01	40	2970	3.90	7/8"	1/2"	82/103	M	11.1
	30	1757	2393	3154	4023	4988	6031	7134	2588	2.36								
SILAGV4543Y	60	4030	5279	6829	8626	10630	12795	15068	5729	3.13*	40	2700	3.90	7/8"	1/2"	85/106	M	11.3
	30	2191	2897	3788	4842	6041	7366	8792	3133									

Statement of the seasonal COP



Silensys® Inverter

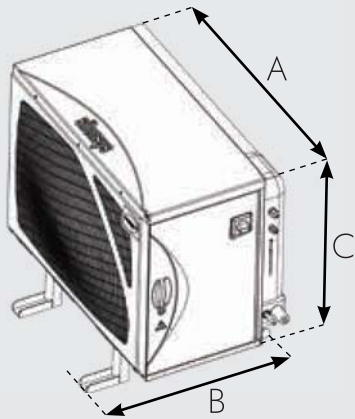
MHBP

R134a

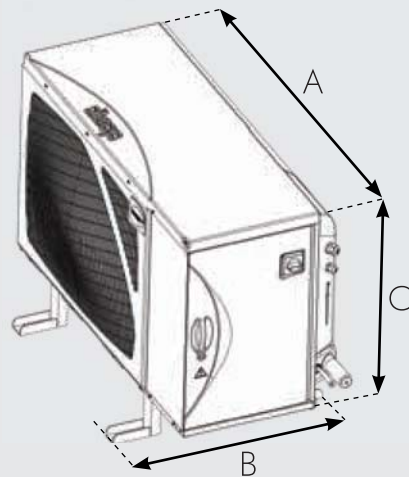
MODEL NUMBER	Freq.	PRODUCTION FRIGORIFIQUE 32° amb., 10K surchauffe, 3K sous-ref.							REFRIG. OUTPUT EN13215 Evap. T -10°C		Acc. P db(A)	Air flow m3/h	Liq. Rec. Vol.	Diam. for tubing O.D.		Net/ Gross weight kg	No. Dim	Max. current according to voltage code
		Température d'évaporation (°C) :							Perf. (W)	COP (W/W)				Suc.	Liqu. Line			TZ
		-15°	-10°	-5°	0°	5°	10°	15°										
SILAJV4492Y	60	1015	1359	1747	2182	2666	3204	3798	1454	1.91	26	1650	1.50	1/2"	3/8"	90/107	S	3.1
	30	549	738	956	1204	1486	1804	2163	788	2.11								
SILAJV4511Y	60	1331	1719	2155	2642	3181	3774	4425	1843	1.73	27	1650	1.50	5/8"	3/8"	91/108	S	4.2
	30	727	947	1199	1484	1804	2163	2562	1012	1.98								
SILFHV4518Y	60	1913	2495	3179	3974	4889	5938	7134	2677	1.76	33	2700	2.35	5/8"	3/8"	85/106	M	5.8
	30	1045	1377	1771	2233	2769	3384	4086	1471	1.97								
SILFHV4525Y	60	2617	3335	4143	5050	6066	7204	8482	3591	2.10	40	2700	2.35	5/8"	3/8"	71/92	M	8.5
	30	1446	1863	2341	2885	3502	4198	4984	1995	2.40								
SILAGV4534Y	60	3001	4123	5447	6935	8546	10243	11986	4424	2.00	40	2970	3.90	7/8"	1/2"	82/103	M	11.1
	30	1629	2261	3019	3887	4848	5882	6973	2417	2.35								
SILAGV4543Y	60	3737	4987	6536	8334	10332	12479	14728	5349	3.11	40	2700	3.90	7/8"	1/2"	85/106	M	11.3
	30	2032	2737	3626	4678	5872	7184	8593	2925									

DIMENSIONS

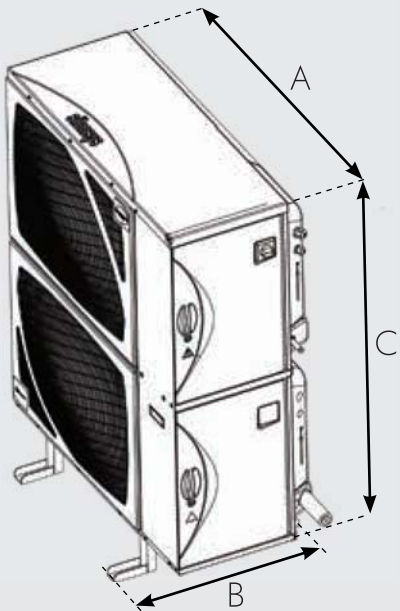
Silensys[®] Inverter



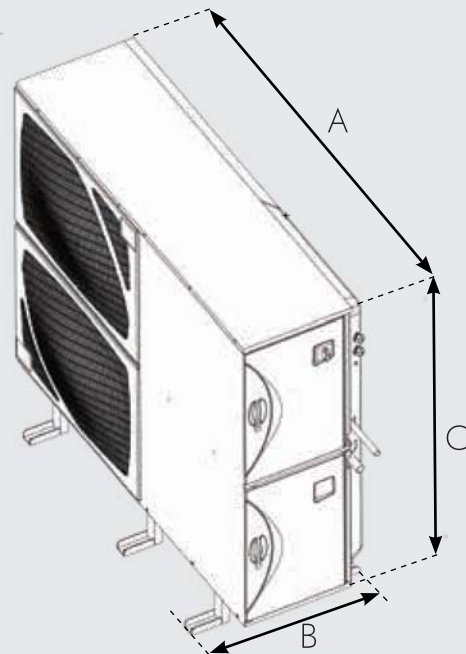
SIZE S







SIZE M



SIZE L



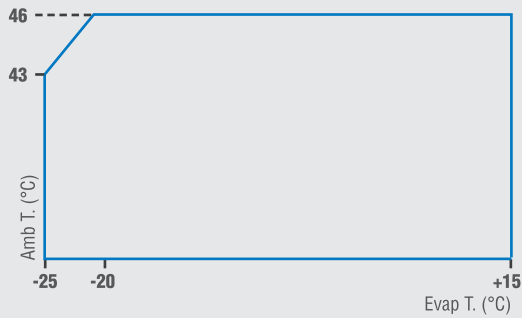
SIZE XL

		A	B	C
	S	942	654	837
	M	1174	654	837
	L	1209	654	1465
	XL	1666	654	1457

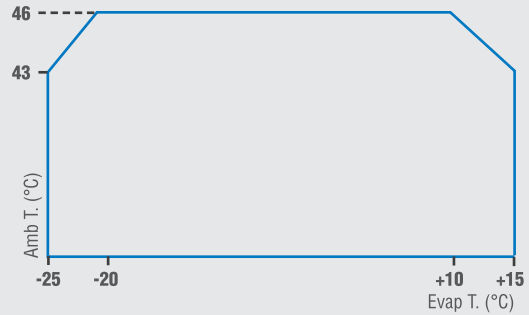
APPLICATION WINDOWS

MHBP R452A R404A

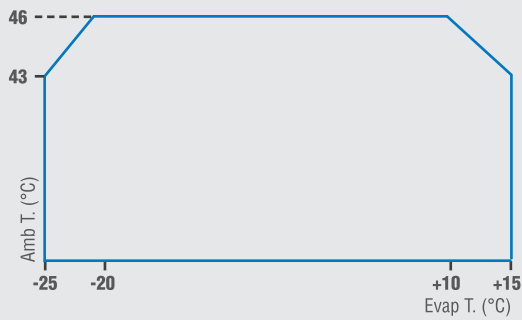
MHBP R134a R513A



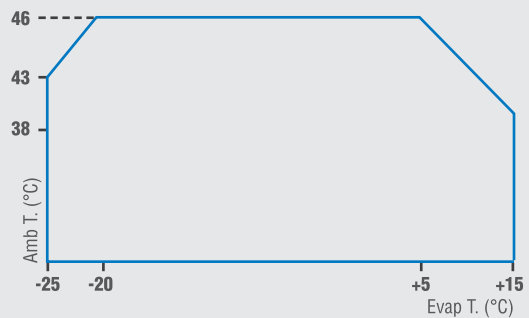
MODEL NUMBER
SIL AJV 4517 Z



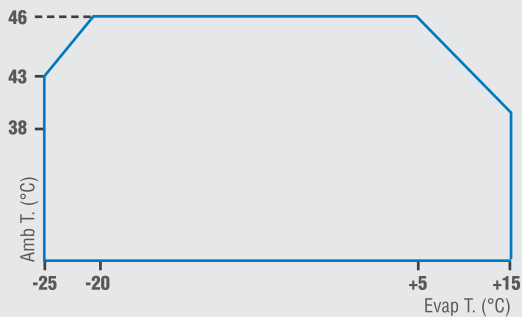
MODEL NUMBER
SIL AJV 4492 Y
SIL AGV 4543 Y



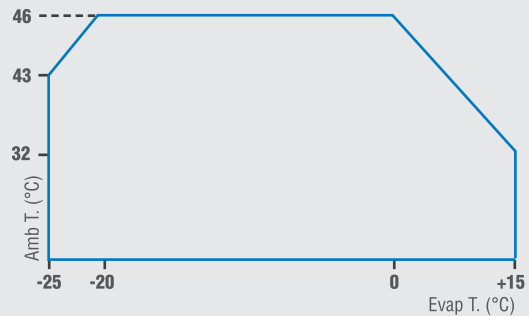
MODEL NUMBER
SIL AJV 9513 Z
SIL AGV 4553 Z



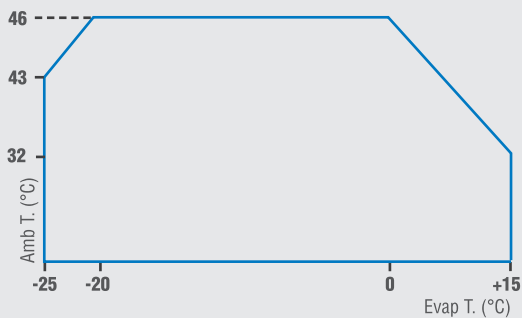
MODEL NUMBER
SIL AJV 4511 Y
SIL FHV 4518 Y
SIL AGV 4534 Y



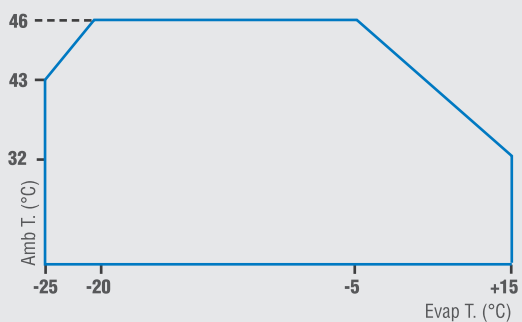
MODEL NUMBER
SIL FHV 4524 Z
SIL FHV 4531 Z
SIL AGV 4546 Z
SIL AGV 4568 Z



MODEL NUMBER
SIL FHV 4525 Y



MODEL NUMBER
SIL FHV 4540 Z



MODÈLE
SIL SHV 4610 Z