

LH/VH keyboards

Also the WING K Series (split version) is available in the LH version by using the T620H or T820H keyboards or in vertical format by using the V620H one.



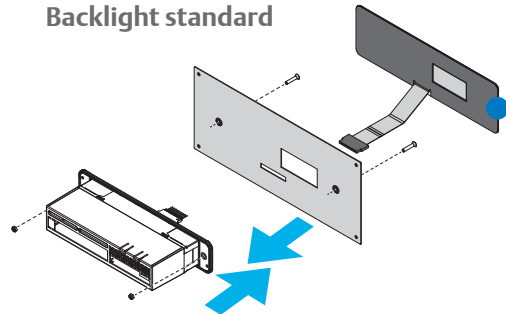
Back panel solution with membrane keyboard

Brand visibility & high customization level

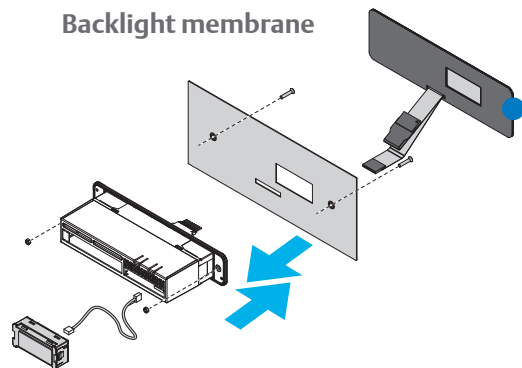
Thanks to its superior versatility, the WING LH is available in a back-panel version that allows the user to have an extensive level of customization ability. Shape, colors and dimensions can be customized depending on the brand or application.



Backlight standard



Backlight membrane



Accessories



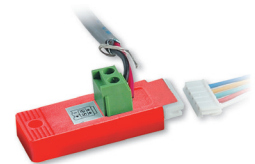
CXLS & HLS

White, red, green or yellow light switch (CXLS) 16A/250Vac with black frame adapter (HLS).



HOT KEY

Easy programmable device; it allows instruments to be programmed in a fast and simple way.



XJ485CX

The serial interface converts the TTL output into an RS485 signal that can be used to connect the controller to the XWEB systems.

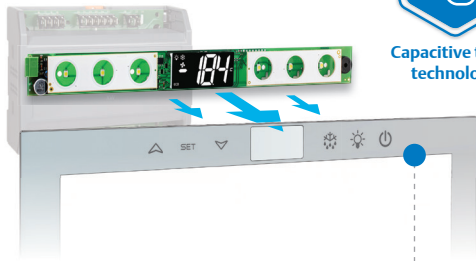
Special keyboards

Dixell extends its range of customizable solutions for commercial refrigerated applications with 2 innovative keyboards that work in combination with WING controllers in K format (XW20K, XW40K, XW60K, XW70K).

T620GT



Capacitive touch technology



Keyboard with touch keys integrated into the unit features a visually aesthetic design.

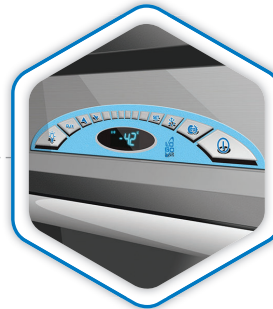
The keyboard allows different solutions of back-panel mounting, such as the back-glass or back-plexiglass mounting. In this way the surface results completely flat and guarantees an easy cleaning and a high level of hygiene and front protection.



D60



Dixell's new membrane solution maximizes the possibility of configuration by users. Interface modification is available depending on the cabinet model in terms of keys, color, shape and dimensions. The remote display is available with or without mechanical buttons; the version containing buttons is used with polycarbonate frontal and has up to 6 buttons.



D60LM
Membrane version



D60VM
Membrane version



D60VB
Mechanical keys version



MDP/CX

Plastic anti-condensing protection cover for terminal block of CH controllers.



XH-REP

Remote display for temperature reading available in red, white or blue color. IP65, 31x64mm.



WIZMATE PROG-TOOL KIT

Programming tool for a quick and easy parameter update.

WING LH (keyboard)

Also the WING K series (split version) is available in the LH version by using the new T620H keyboard.

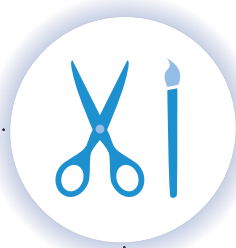
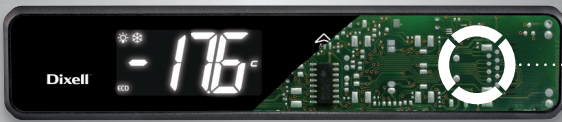


30m



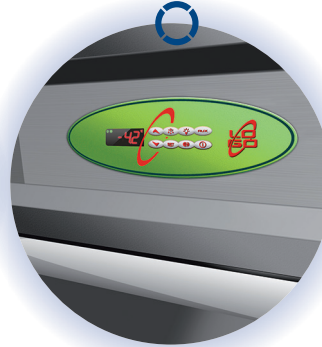
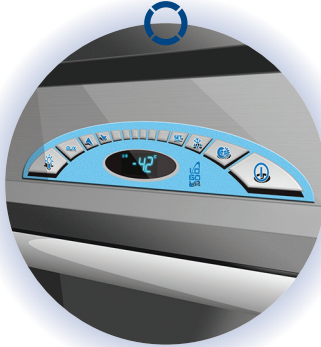
- XW20K
- XW40K
- XW60K
- XW70K

WING LH (back panel with membrane keyboard)

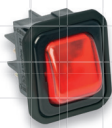


BRAND VISIBILITY & HIGH CUSTOMIZATION LEVEL

Thanks to its superior versatility, the WING LH is available in a back-panel version that allows the user to have an extensive level of customization ability. Shape, colors, and dimensions can be customized depending on the brand or application.

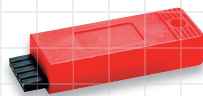


ACCESSORIES



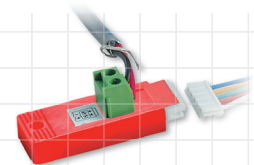
CXL5 & HLS

White, red, green, or yellow light switch (CXL5) 16A/250Vac with black frame adapter (HLS).



HOT KEY

Easy programmable device; it allows instruments to be programmed in a fast and simple way.

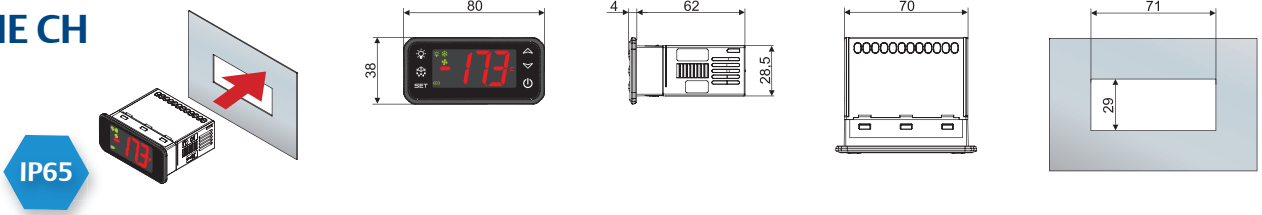


XJ485CX

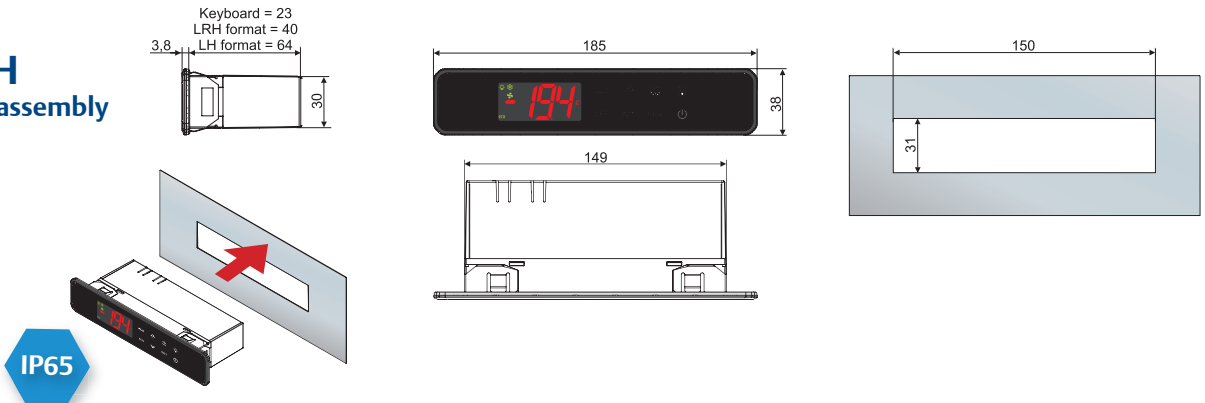
The serial interface converts the TTL output into an RS485 signal that can be used to connect the controller to the XWEB systems.

DIMENSIONS & CUT-OUT

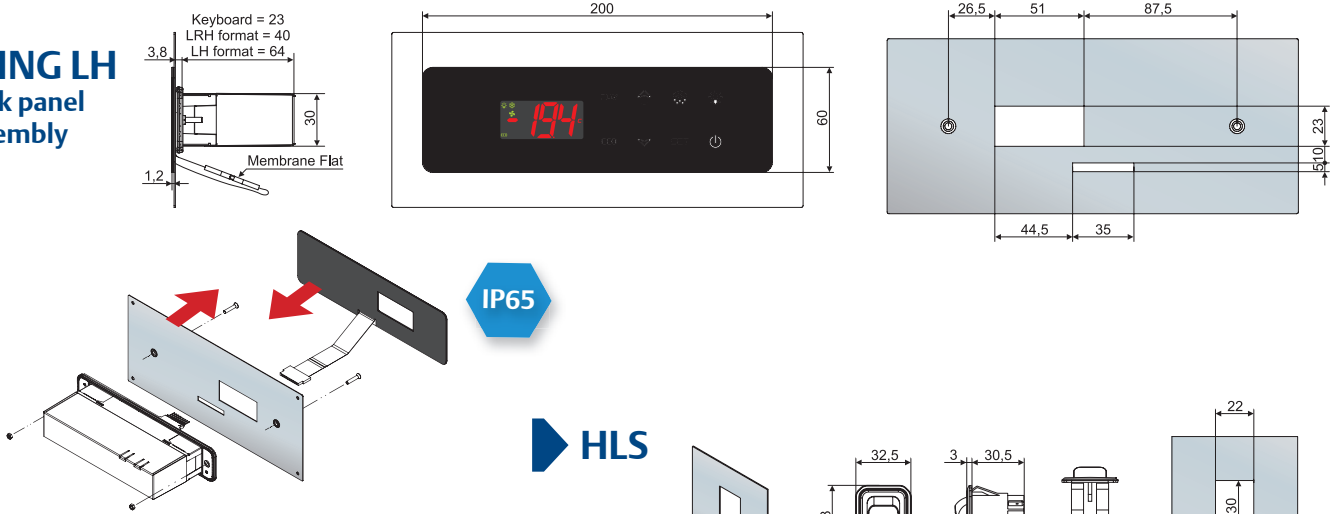
PRIME CH



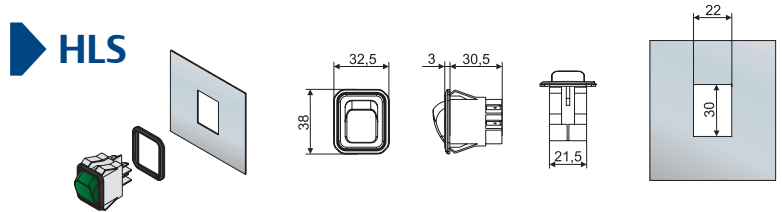
WING LH front panel assembly



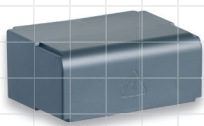
WING LH back panel assembly



HLS

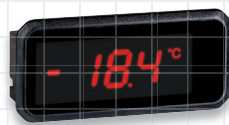


size in mm



MDP/CX

Plastic anti-condensing protection cover for terminal block of CH controllers.



XH-REP

Remote display for temperature reading available in red, white or blue color. IP65, 31x64mm.



WIZMATE PROG-TOOL KIT

Programming tool for a quick and easy parameter update.