



C: 32x74mm



## XR700: NT and LT APPLICATIONS with HACCP FUNCTION

- Digital controller with HACCP function
- Monitoring, signalling and recording of the critical temperature
- Real time display of the peaks and their duration
- Correct storage of products
- Hot Key or Prog Tool Kit connector for quick and easy programming
- Serial connection to monitoring systems
- 4VA max power absorption
- Dual display with red LED (8,0mm high) and yellow LED (5,6mm high) and 13 icons

### COMPLETE

The **dual display** with **13 icons** shows complete information about the status of the machine. Without the need to enter into the programming mode, all the main functioning of the cooling system is displayed with only one key touch.



### HOW to ORDER

XR700C X R 7 7 5 C - A 0 0 D E

A	D	E
<b>Power supply</b>	<b>Measurement unit</b>	<b>RS485 output</b>
0 = 12Vac/dc	C = °C	0 = No
1 = 24Vac/dc	F = °F	1 = Yes

# CONTROLLER with HACCP FUNCTION for VENTILATED APPLICATIONS

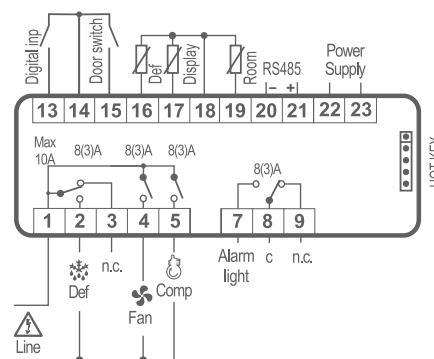
# XR700

**XR775C** | Digital controller for NT and LT ventilated applications



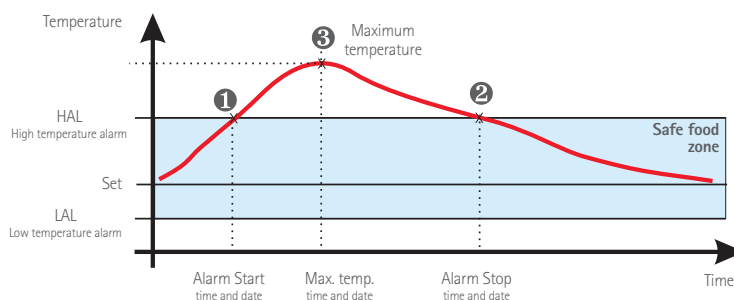
C: 32x74mm

FEATURES	XR775C
First display: n° digits	± 3 d.p.
Second display: n° digits	± 4 d.p.
Power supply	12, 24Vac/dc
<b>Probe inputs</b>	
Thermostat	NTC
Defrost	NTC
Display	NTC
<b>Digital inputs</b>	
Alarm, door switch, light, defrost	config
Door switch	pres
<b>Relay outputs</b>	
Compressor	8A
Defrost	8A
Fans	8A
Light, alarm	8A config
<b>Other</b>	
Hot Key/Prog Tool Kit output	pres
Serial output	TTL, RS485 opt
Buzzer	pres
Real time clock	pres



## EXAMPLE of HIGH TEMPERATURE ALARM

When a high (or low) temperature alarm occurs, instrument records the start **1** and end time **2**, the date and the maximum (or minimum) temperature **3** reached.



## BLACKOUT ALARM

If, after a blackout, the temperature is higher than the alarm value, the start of the blackout **1** and the end of alarm temperature **2** together with the max temperature reached **3** are recorded.

