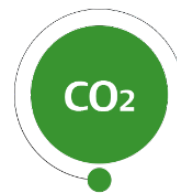


XRB-CH

Bottle cooler controllers

PN 09/17 JULY



The **XRB-CH** family of bottle cooler controllers, features new models.

The series is composed of standard controllers (**XRB-CH**) and of advanced controllers (**XRB-CH Enhanced**) depending on the features and functionalities of the model.

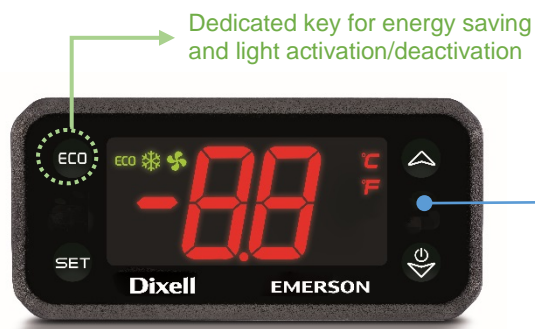
Controllers can be installed in refrigerators with either for frontal door or night curtains and are provided with innovative functions for energy saving.

1. XRB-CH (standard version)

This family is composed of models both in short and normal version:

- XRB02CH
- XRB03CH
- XRB06CH
- XRB07CH

SHORT VERSION



- ✓ 4 keys
- ✓ 2 digits
- ✓ Large display with dedicated icons
- ✓ Red (standard) white and blue display

1.1 Main features

New XRB-CH models come with innovative features, such as:

- Standard energy saving algorithms
- Automatic extra cooling
- Compatible with low GWP refrigerants



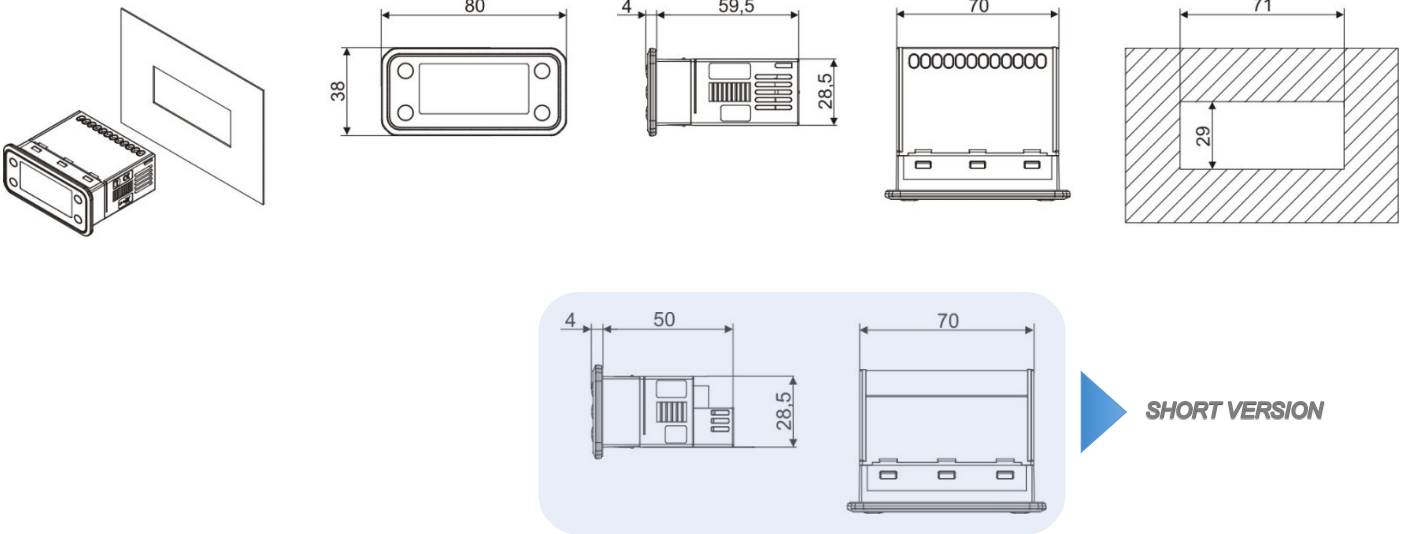
1.2 Hardware

	XRB02CH	XRB03CH	XRB06CH	XRB07CH
Display	± 2 d.p.	± 2 d.p.	± 2 d.p.	± 2 d.p.
Power supply	110, 230Vac	110, 230Vac	110, 230Vac	110, 230Vac
Probe inputs	up to 2 x NTC*	up to 2 x NTC*	up to 3 x NTC**	up to 3 x NTC**
Digital inputs	1 x configurable*	1 x configurable*	up to 2 x configurable**	up to 2 x configurable**
Relay outputs	20A	20+8A	16+8+8A 20+8+5A	16+8+8+5A
External port	HOT KEY	HOT KEY	HOT KEY	HOT KEY
Terminals	screw or plug-in	screw or plug-in	screw or plug-in	screw or plug-in
Buzzer	optional	optional	optional	optional

* Up to 2 NTC when the digital input is configured as probe

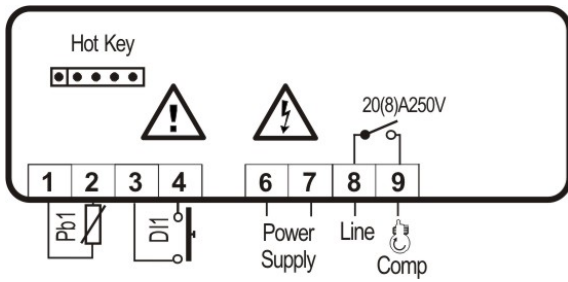
** Up to 3 NTC when the digital inputs are configured as probe

1.3 Dimensions and cut out

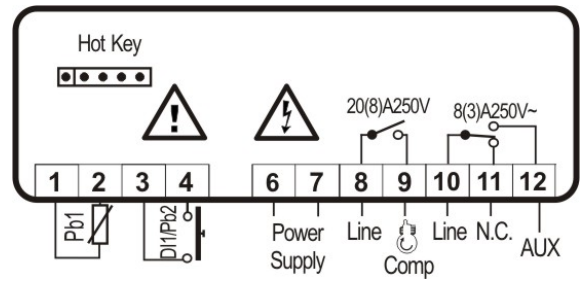


1.4 Connections

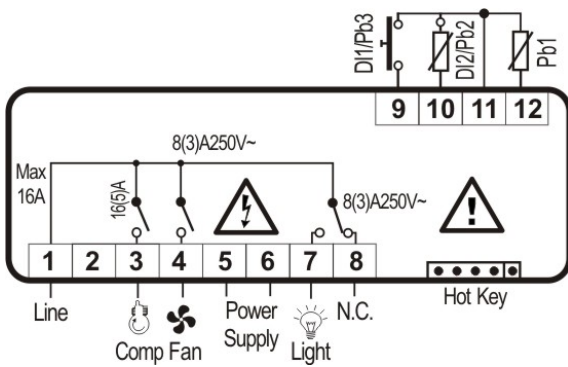
XR02CH



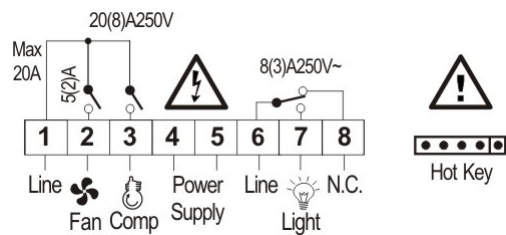
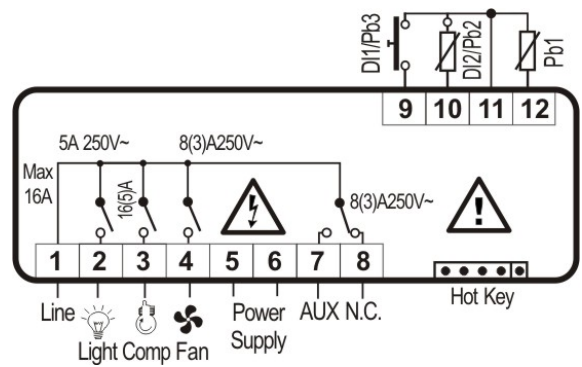
XR03CH



XR06CH



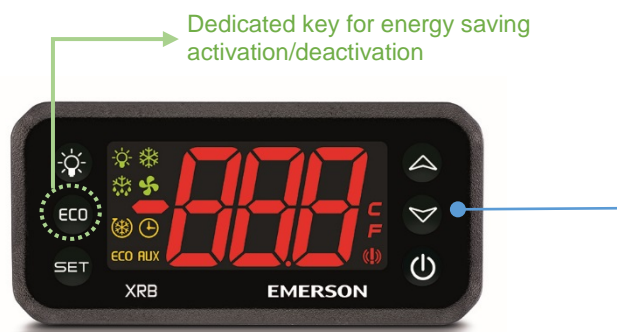
XR07CH



2. XRB-CH Enhanced

This family is composed of 3 models in normal format:

- XRB30CH
- XRB60CH
- XRB70CH



- ✓ 6 keys
- ✓ 3 digits
- ✓ Large display with dedicated icons
- ✓ Red (standard), white and blue display

2.1 Main features

New XRB-CH Enhanced models come with more advanced functions in comparison to the standard version described here above. These functions have been expressly developed for the optimization of both the energy management and the control of the application where they are installed, such as:

- Advanced energy saving algorithms (**PATENTED**)
- Automatic defrost management (**PATENTED**)
- Autotuning
- Compatible with low GWP refrigerants
- Automatic extra cooling
- Multi map
- Real time clock (optional)
- Service counters (relay activation, working hours)
- Upgradable Firmware
- ModBUS serial communication



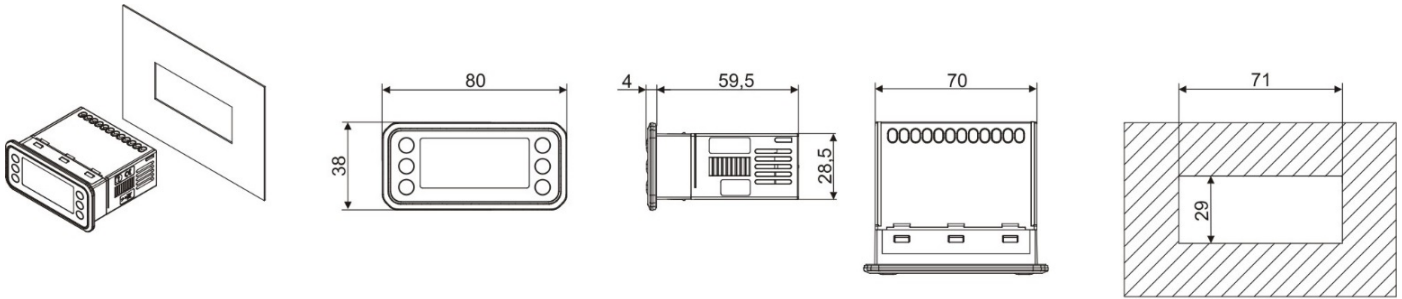
2.2 Hardware

	XRB30CH	XRB60CH	XRB70CH
Display	± 3 d.p.	± 3 d.p.	± 3 d.p.
Power supply	110, 230Vac	110, 230Vac	110, 230Vac
Probe inputs	up to 2 x NTC*	up to 4 x NTC**	up to 4 x NTC**
Digital inputs	up to 2 x configurable*	up to 2 x configurable**	up to 2 x configurable**
Relay outputs	16+8A	16+8+8A 20+8+5A	16+8+8+5A
External port	HOT KEY, TTL	HOT KEY, TTL	HOT KEY, TTL
Terminals	screw or plug-in	screw or plug-in	screw or plug-in
Buzzer	optional	optional	optional

** Up to 3 NTC when the digital inputs are configured as probe

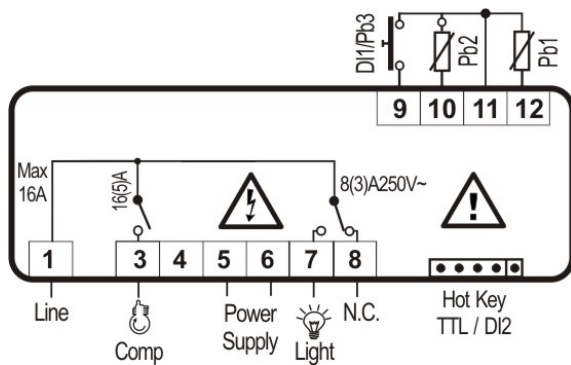
** Up to 4 NTC when the digital inputs are configured as probe

2.3 Dimensions and cut out

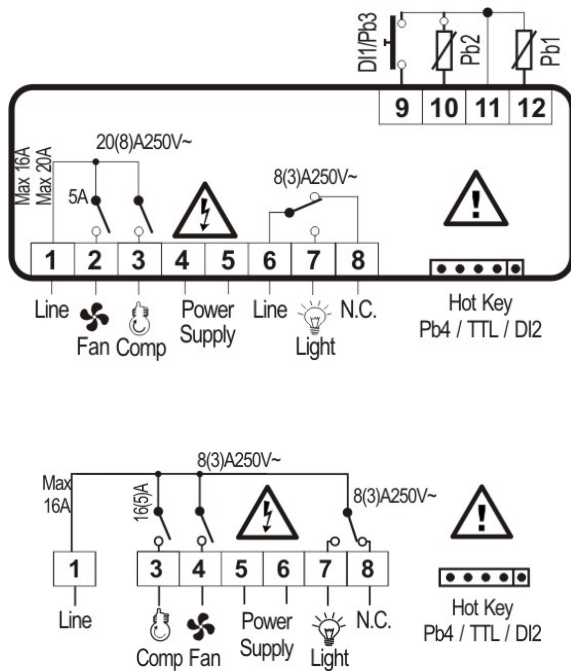


2.4 Connections

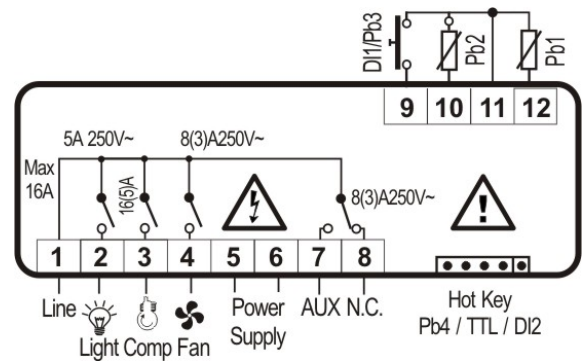
XRB30CH



XRB60CH









XRB70CH



3. Function comparative table

	XR-B-CH	XR-B-CH ENHANCED
20A compressor relay	•	•
Energy saving functions	•	•
Advanced energy saving algorithm inside		•
Automatic set point management		•
Smart defrost management		•
Extra cooling	•	•
Compressor working time control		•
Counters of compressor/defrost/fans/light activation number		•
Condenser monitor for maintenance management	•	•
Anti-sweat heaters management		•
Multi map		•
Pull down time		•
Firmware update via special Prog Key		•
Hot Key or Prog Tool Kit connector	•	•
Serial connection to monitoring systems		•

4. Main accessories

 	<p>MDP/CX (only for version with long case) Plastic protection against dripping on terminal blocks</p>
	<p>PROG KEY (only for XR-B-CH Enhanced) Key for a quick and easy firmware update</p>
	<p>HOT KEY Key for a quick and easy parameter update</p>
	<p>WIZMATE PROG-TOOL KIT Programming tool to change in an easy and quick way the device configuration by using the WIZMATE® software</p>
	<p>XJ485USB (only for XR-B-CH Enhanced) USB to RS485 serial converter (2 wires) to interface any computer, equipped with WIZMATE® software and a USB port, to a network of instruments</p>

5. How to order

XRB0_CH – ABCDE

A		B		C		D		E				
Power supply		Display		Buzzer		Probe connections		Measurement unit		Compressor output		Load connections
4	110Vac	N	Red	0	No	Screw		C= °C		1	20A	Screw
5	230Vac	R	Blue	1	Yes	Screw		F= °F		2	16A	Screw
		W	White	4	No	Disconnectable 90°				3	16A	Disconnectable 90°
				5	Yes	Disconnectable 90°				U	20A	Disconnectable 90°

XRB_0CH – ABCDE

A		B		C		D		E		
Power supply		Display		Buzzer		Measurement unit		Compressor output		Connections
4	110Vac	N	Red	0	No	C= °C		1	20A	Screw
5	230Vac	R	Blue	1	Yes	F= °F		3	16A	Screw
		W	White					5	20A	Disconnectable
								9	16A	Disconnectable

6. Prices

Please contact our sales department for prices and further information.

7. Availability and orders

Starting from September 2017 it will be possible to order the new XRB-CH controllers. Please contact our sales department for delivery time.