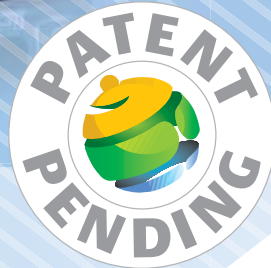




CX: 32x74mm



## XRB SERIES: BOTTLE COOLER APPLICATIONS

- Electronic controllers for bottle cooler
- Easy and intuitive installation
- High energy saving thanks to load optimization
- Algorithms for energy saving work without the use of external sensors
- Energy saving based on pre-set time interval
- Automatic set point management after filling the cabinet
- Compressor working time control
- Counters of compressor/defrost/fans/light activation time
- Condenser monitor for maintenance management
- Anti-sweat heaters management (only for XRB07CX)
- Firmware update via special Prog Key
- Hot Key or Prog Tool Kit connector for quick and easy programming
- Serial connection to monitoring systems
- 3VA max power absorption
- Display with red LED (10,5mm high) and icons



For cabinets with or without door  
(also with night curtains)

### HOW to ORDER

XRB

X R B O C X - A N C D E

-17.8

For blue display please contact Dixell



For RTC version please contact Dixell

A	C	D	E
<b>Power supply</b>	<b>Buzzer</b>	<b>Measurement unit</b>	<b>Connections</b>
0 = 12Vac/dc	0 = No	C = °C	3 = Screw
4 = 110Vac	1 = Yes	F = °F	9 = Disconnectable
5 = 230Vac			

# CONTROLLERS for STATIC or VENTILATED BOTTLE COOLER APPLICATIONS

# XRB

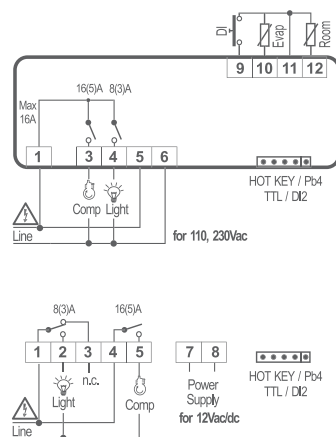
<b>XRBO4CX</b>	Digital controller for static applications
<b>XRBO6CX</b>	Digital controller for ventilated applications
<b>XRBO7CX</b>	Digital controller for ventilated applications with auxiliary output



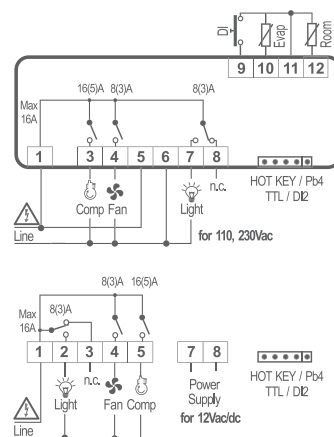
CX: 32x74mm

FEATURES	XRBO4CX	XRBO6CX	XRBO7CX
<b>Display: n° digits</b>	± 3 d.p.	± 3 d.p.	± 3 d.p.
<b>Power supply</b>	12Vac/dc 110, 230Vac	12Vac/dc 110, 230Vac	110, 230Vac
<b>Probe inputs</b>			
Thermostat	NTC	NTC	NTC
Defrost	NTC	NTC	NTC
Condenser	NTC	NTC	NTC
Condenser/AUX			NTC on HOT KEY
<b>Digital inputs</b>			
Start defrost, light, AUX, door switch, energy saving, probe	config	config	config
Alarm, start defrost, light, AUX, door switch, energy saving, fans, ON/OFF	config	config	config
<b>Relay outputs</b>			
Compressor	16A	16A	16A
Fans		8A	8A
Light	8A	8A	8A
AUX			5A
<b>Other</b>			
Hot Key/Prog Tool Kit output	pres	pres	pres
Serial output	TTL	TTL	TTL
Buzzer	opt	opt	opt

## XRBO4CX



## XRBO6CX



## XRBO7CX

