



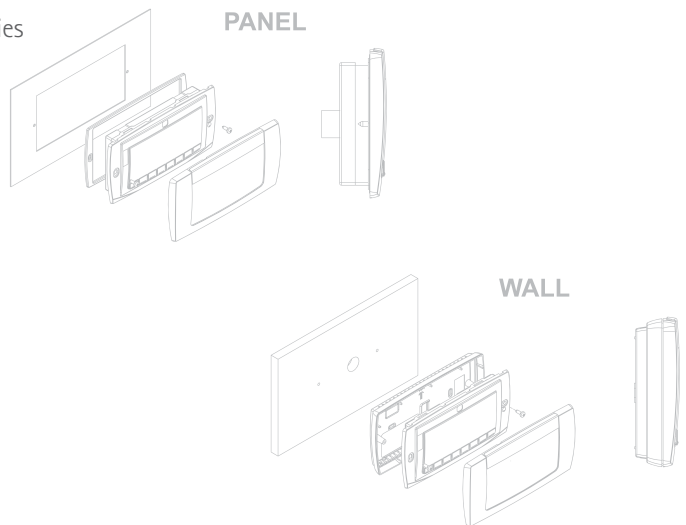
VG: 82x156mm

VGIPG

Graphic display fully programmable (via VISOPROG or through USB from the iPro) for iProGENIUS controllers with LCD graphic display with 240x96pixels

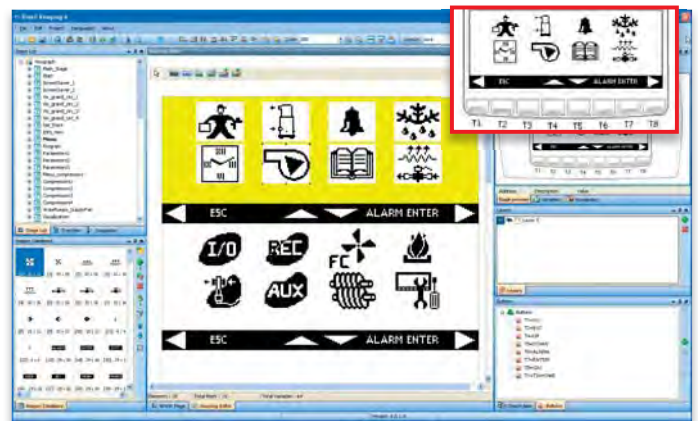
FEATURES	VGIPG
Power supply	from controller
Visokey output	pres
Buzzer	opt

- Great versatility and extensive customization opportunities
- Complete integration with ISaGRAF® projects
- UNICODE character compatible
- Quick panel or wall mounting
- Up to 2 keyboards connectable with iPro controllers
- Maximum distance from the controller: 150m



VISOPROG

VISOPROG allows the creation of graphic interfaces for VISOGRAPH keyboards, VGIPG model. The program installed on a PC is connected to the ISaGRAF® project with a basic interface that can be easily customized based on the user's needs. VISOPROG allows a direct transfer of the user interface from PC to a keyboard. The image on the right shows an operative VISOPROG screen with the relative VISOGRAPH final interface



ACCESSORY

VISOKEY

Programming kit for Visograph keyboards

