

VI

REMOTE KEYBOARDS with LED DISPLAY



VI remote keyboards, combined with IC100CX and IC200 evo, are the ideal solution to control and manage the unit remotely.

- Quick and easy panel mounting (also wall mounting by V-KIT for VI keyboards)
- Up to 2 keyboards (1 for IC100CX series)
- Maximum distance from the controller: 100m
- Optional internal temperature probe

ADAPTERS for VI KEYBOARDS

Besides wall or panel mounting (using a standard commercial enclosure), VI keyboards can be easily wall mounted using the V-KIT adapter, available in black or white colors.



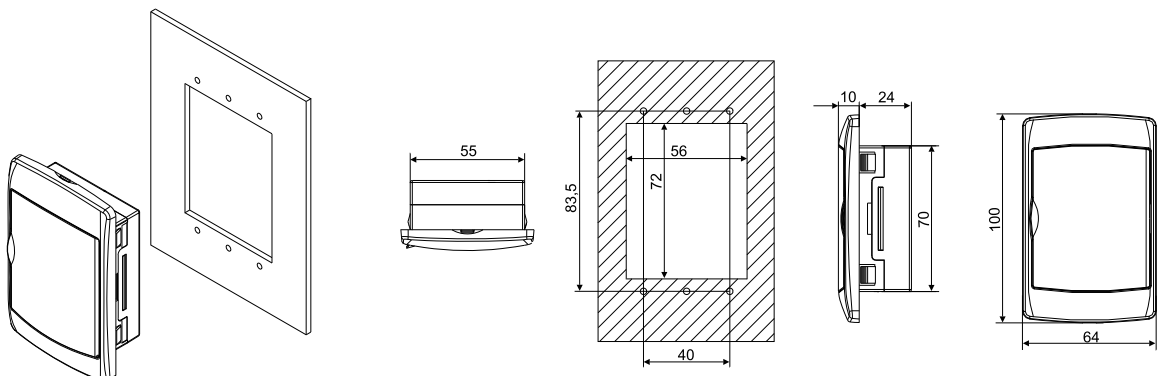
V-KIT/W

Wall adapter for vertical keyboards - white

V-KIT/B

Wall adapter for vertical keyboards - black

DIMENSIONS & CUT-OUT



REMOTE KEYBOARDS for IC100CX and IC200 evo CONTROLLERS



VICX610	Vertical keyboard for IC100CX controllers
VICX620	Vertical keyboard for IC206CX and IC208CX controllers
VI622	Vertical keyboard for IC205D and IC207D controllers

FEATURES	VICX610	VICX620	VI622
<i>First display: n° digits</i>	±4 d.p.	±4 d.p.	±4 d.p.
<i>Second display: n° digits</i>	±4 d.p.	±4 d.p.	±4 d.p.
<i>Power supply</i>	from controller	from controller	from controller
<i>Internal probe</i>	opt	opt	opt
<i>Buzzer</i>	opt	opt	opt
<i>Connection kit</i>	CAB/CJ15 CAB/CJ30		

TECHNICAL DATA	
Housing	self-extinguishing ABS
Format	frontal 100x64mm; depth 24mm
Display	4 digits red LED + 4 digits yellow LED + icons
Mounting	panel mounting in a 72x56mm cut-out (or wall mounting using the V-KIT)
Front protection	IP65 with gasket
Connections	screw-terminal block ≤ 2,5mm ²
Power supply	from controller
Operating temperature	-10÷60°C (14÷140°F)
Storage temperature	-30÷85°C (-22÷185°F)
Relative humidity	20÷85% (non condensing)
Measuring and regulation range	-50÷110°C (-58÷230°F)
Resolution	0,1°C or 1°F
Accuracy (at ambient temperature)	±0,8°C (±1°F)

HOW to ORDER

V I C X 6 0 - A B 0 0 0 **VICX610 - VICX620**

V I 6 2 2 - A B 0 0 0 **VI622**

A	B
Internal probe	Buzzer
0 = No	0 = No
1 = Yes	1 = Yes

VISOGRAPH

REMOTE KEYBOARDS with LCD GRAPHIC DISPLAY



VISOGRAPH graphic displays are characterized by a new design and a membrane keyboard and are ideal for interfacing with compatible Dixell controllers (**IC200 evo**, **iPro** and **IPM500D**); they instantly provide complete information about the status of a machine or of a residential plant thanks to an intuitive and complete interface. The keyboards, suitable for both panel and wall mounting, are available in black or white, with flat or chamfered frame.

- Built-in probe for temperature and humidity control
- Frontal red LED (alarms) and green LED (ON status)
- 240x96pixels LCD display
- VISOPROG development tool for the creation of graphic interfaces
- VISOKEY output to upload or download the user interface application
- UNICODE character compatible (Oriental languages)
- Maximum distance from the controller: 100m
- Possibility to connect an additional external temperature probe
- Quick panel or wall mounting

PROGRAMMING TOOL

Thanks to version 5 of VISOPROG software developed by Dixell, it is now possible to create simple and intuitive user interfaces based on customer's needs.

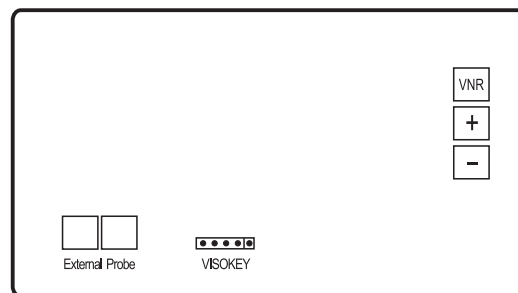


GRAPHIC DISPLAYS for IC200 evo, iPro and IPM500D controllers



V2I820	Graphic display with interface for IC200 evo controllers
V2IPC	Graphic display with interface for iProCHILL controllers
V2IPG	Graphic display with interface for iProLINK controllers
V2IPM	Graphic display with interface for IPM500D controllers

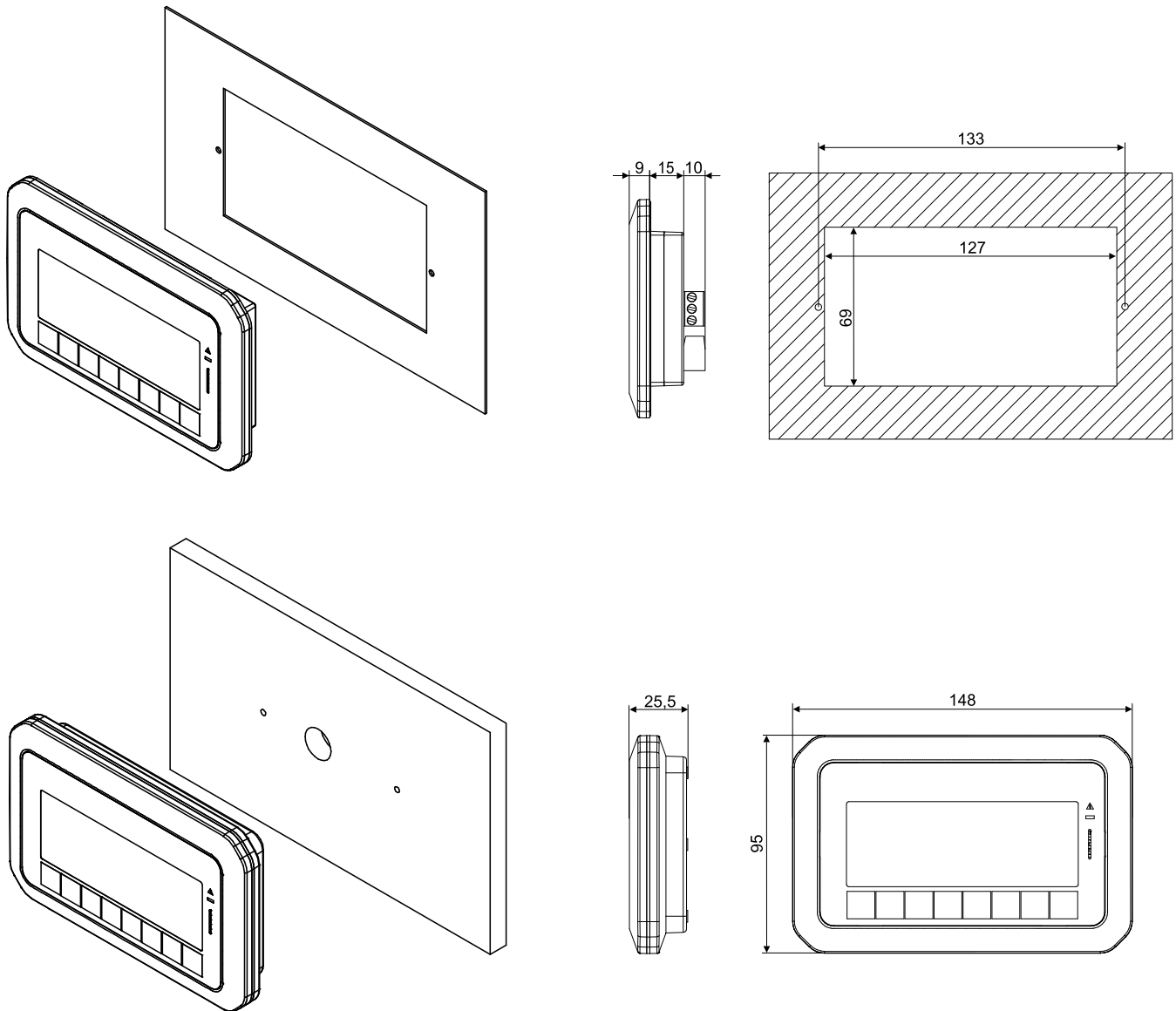
FEATURES	V2I820	V2IPC	V2IPG	V2IPM
<i>Power supply</i>	from controller	from controller	from controller	from controller
<i>Internal and external probe</i>	opt	opt	opt	opt
<i>Visokey output</i>	pres	pres	pres	pres
<i>Buzzer</i>	opt	opt	opt	opt



TECHNICAL DATA

Housing	self-extinguishing ABS
Format	frontal 95x148mm; depth 25mm for panel mounting and 25,5mm for wall mounting
Display	240x96 pixel, LCD monochrome display
Mounting	panel mounting in a 89x127mm cut-out or wall mounting
Front protection	panel: model without built-in probes: IP54 model with built-in probes: IP30 wall: IP30
Connections	screw-terminal block ≤ 2,5mm ²
Power supply	from controller
Operating temperature	-10÷60°C (14÷140°F)
Storage temperature	-30÷70°C (-22÷158°F)
Measuring and regulation range	internal temperature probe: -10÷60°C (14÷140°F) internal humidity probe: 0÷99% external temperature probe: -50÷110°C (-58÷230°F)
Relative humidity	20÷85% (non condensing)
Resolution	0,1°C or 1°F or 1RH%
Accuracy (at ambient temperature)	temperature: ±1% humidity: ±5%

DIMENSIONS & CUT-OUT



HOW to ORDER

V 2 I 8 2 0 - A B C D 0 V2I820

V 2 I P C - A B C D 0 V2IPC

V 2 I P G - A B C D 0 V2IPG

V 2 I P M - A B C D 0 V2IPM

A	B	C	D
Buzzer/Probes	Type of mounting	Frame/Color	Character encoding
0 = No/No	P = Panel	0 = Flat/White	0 = Ascii
1 = Yes/No	W = Wall	1 = Chamfered/White	1 = Unicode (Oriental languages)
2 = No/Yes		2 = Flat/Black	
3 = Yes/Yes		3 = Chamfered/Black	

VISOTOUCH

PROGRAMMABLE TOUCH SCREEN DISPLAYS



VISOTOUCH programmable touch screen display features a wide 4.3" and ensures a high performing hardware and full compatibility with **IC200 evo**, **iPro** and **IPM500D** Dixell controllers. The elegant design, the compact and solid structure and the possibility of panel or wall mounting, make it extremely versatile and suitable for residential environments or as a machine terminal. Available in horizontal and vertical versions, with or without built-in probes, it is particularly appreciated for its high degree of connectivity, for its touch technology and for its bright display.

VISOTOUCH was created to make Dixell controllers with LAN port even more complete, simple and intuitive.

- Built-in probe for temperature and humidity control
- Frontal red LED (alarms) and green LED (ON status)
- High connectivity degree via LAN, RS485 (with ModBUS protocol) and USB port
- Graphic display TFT
- High programmability thanks to the new VISOPROG 5 software
- Versatility in mounting (panel or wall) and in the format (horizontal or vertical)
- Maximum distance from the controller: 100m
- Possibility to connect an additional external temperature probe

PROGRAMMING TOOL

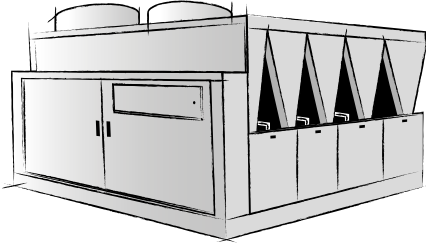
Thanks to version 5 of VISOPROG software developed by Dixell, it is now possible to create simple and intuitive user interfaces based on customer's needs. Icons and colored texts give to the screen a more modern and appealing look, making the access to information even more clear and immediate.



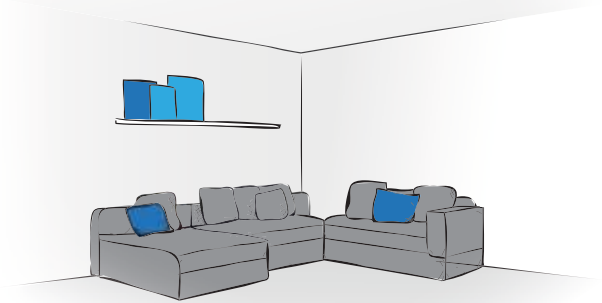
MAIN APPLICATIONS

The high performance hardware and the compatibility with Dixell controllers make VISOTOUCH the ideal answer to the needs of the HVAC field.

CHILLERS and HEAT PUMPS



ROOM TERMINALS



HIGH CUSTOMIZATION POSSIBILITIES

The graphic TFT color display stands out thanks to its great brightness and provides real-time information in a clear and detailed way. Thanks to its many features available, you can quickly create user interfaces dedicated to specific customer's needs.



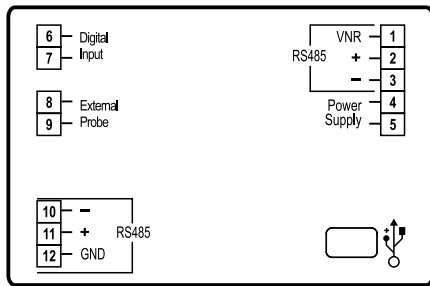
PROGRAMMABLE TOUCH SCREEN DISPLAY



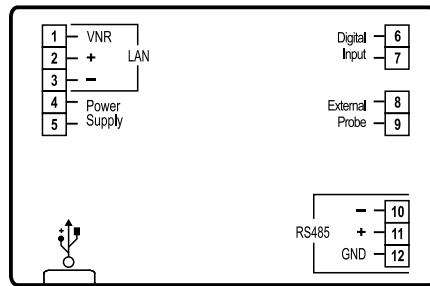
VTIC20	TFT touch screen display for IC200 evo controllers
VTIPC	TFT touch screen display for iProCHILL controllers
VTIPG	TFT touch screen display for iProLINK controllers
VTIPM	TFT touch screen display for IPM500D controllers

FEATURES	VTIC20	VTIPC	VTIPG	VTIPM
Power supply	12, 24Vac/dc	12, 24Vac/dc	12, 24Vac/dc	12, 24Vac/dc
Internal and external probe, digital input	opt	opt	opt	opt
LAN output	pres	pres	pres	pres
RS485 output	opt	opt	opt	opt
Buzzer	pres	pres	pres	pres

Panel mounting version

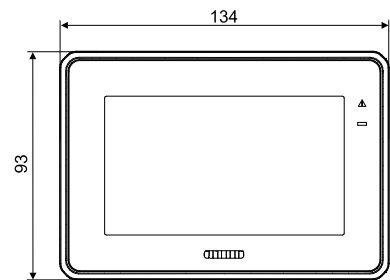
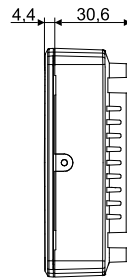
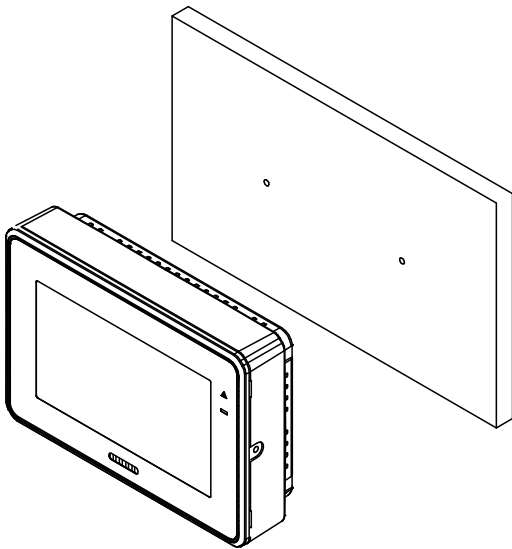
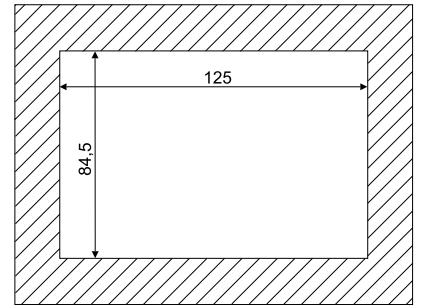
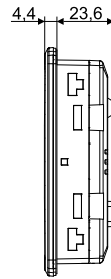
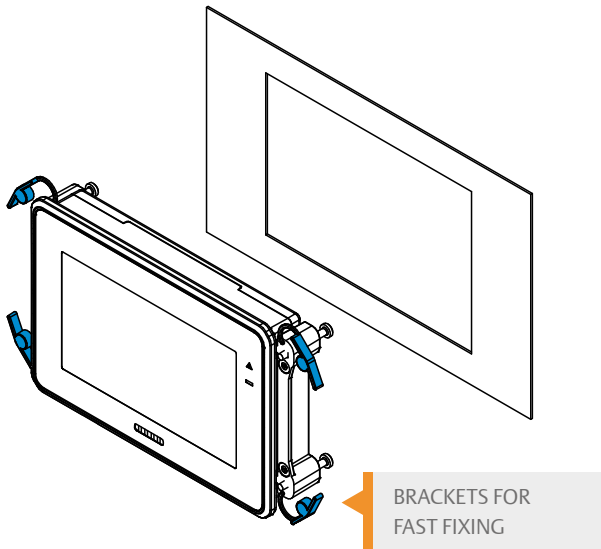


Wall mounting version



TECHNICAL DATA	
Housing	self-extinguishing ABS
Touch screen	resistive
Format	4:3 frontal 93x134mm; depth 23,6mm for panel mounting and 30,6mm for wall mounting
Display	480x272pixels TFT, 256 colors
Mounting	panel mounting in a 84,5x125mm cut-out or wall mounting
Front protection	panel: model without built-in probes: IP54 model with built-in probes: IP30 wall: IP20
Connections	panel version: STELVIO 90° screw connectors wall version - wires section: min 0,5mm ² - max 2,5mm ²
Power supply	12, 24Vac/dc ±15%
Power absorption	5W - 5VA
Operating temperature	-20÷60°C (-4÷140°F)
Storage temperature	-25÷70°C (-13÷158°F)
Measuring and regulation range	internal temperature probe: -10÷50°C (14÷122°F) internal humidity probe: 20÷85% external temperature probe: -50÷110°C (-58÷230°F)
Relative humidity	20÷85% (non condensing)
Resolution	0,1°C or 1°F or 1RH%
Accuracy (at ambient temperature)	temperature: ±1% humidity: ±3% (20÷80%) / ±5% (elsewhere)

DIMENSIONS & CUT-OUT



HOW to ORDER

V	T	I	C	2	0	-	A	B	0	0	E	VTIC20
---	---	---	---	---	---	---	---	---	---	---	---	--------

V	T	I	P	C	-	A	B	0	0	E	VTIPC
---	---	---	---	---	---	---	---	---	---	---	-------

V	T	I	P	G	-	A	B	0	0	E	VTIPG
---	---	---	---	---	---	---	---	---	---	---	-------

V	T	I	P	M	-	A	B	0	0	E	VTIPM
---	---	---	---	---	---	---	---	---	---	---	-------

A	B	E
Probes	Type of Mounting/Format	RS485
0 = No	0 = Panel/Horizontal	0 = No
1 = Yes	1 = Wall/Horizontal	1 = Yes
	2 = Panel/Vertical	
	3 = Wall/Vertical	