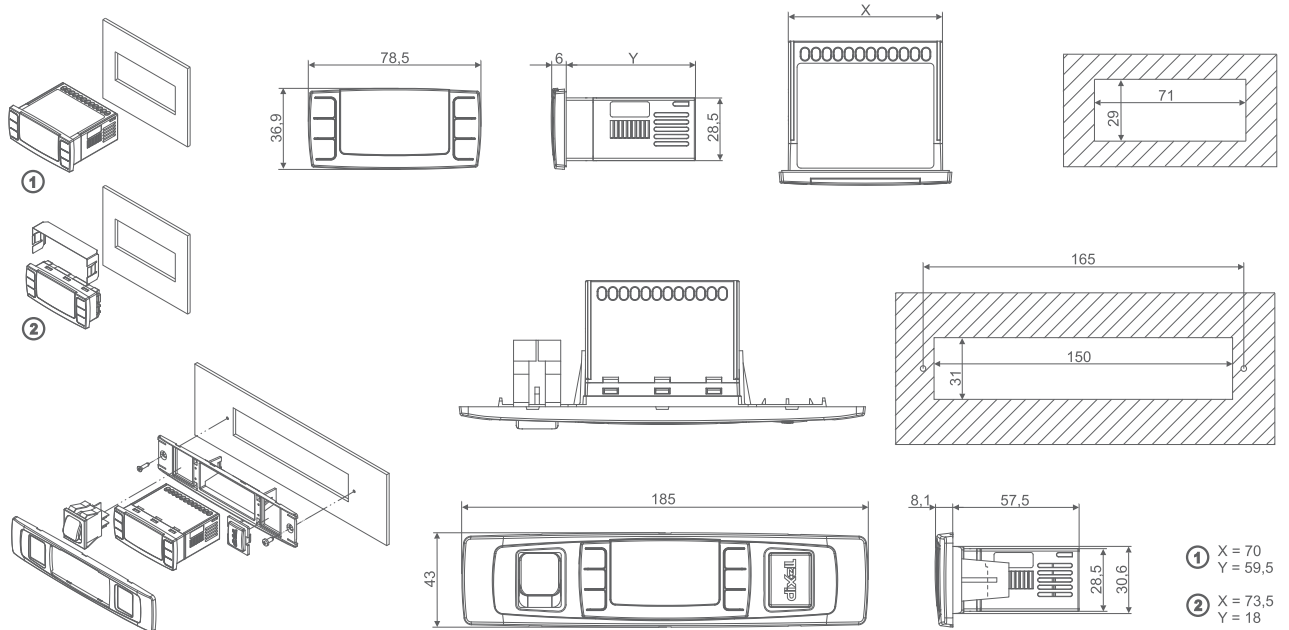
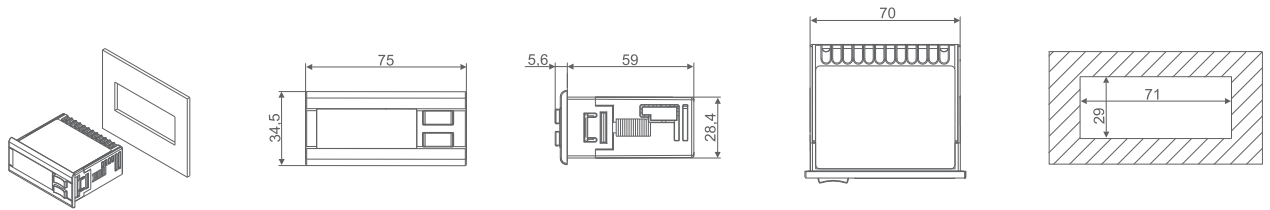


# DIMENSIONS & CUT OUT

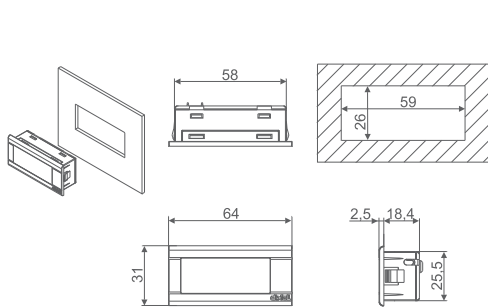
## CX, KEYBOARDS (32x74) - panel mounting



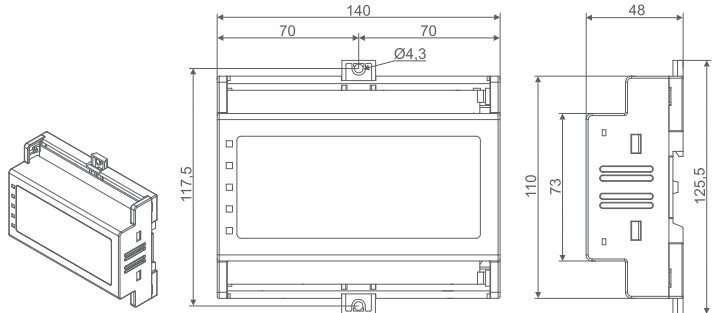
## C (32x74) - panel mounting



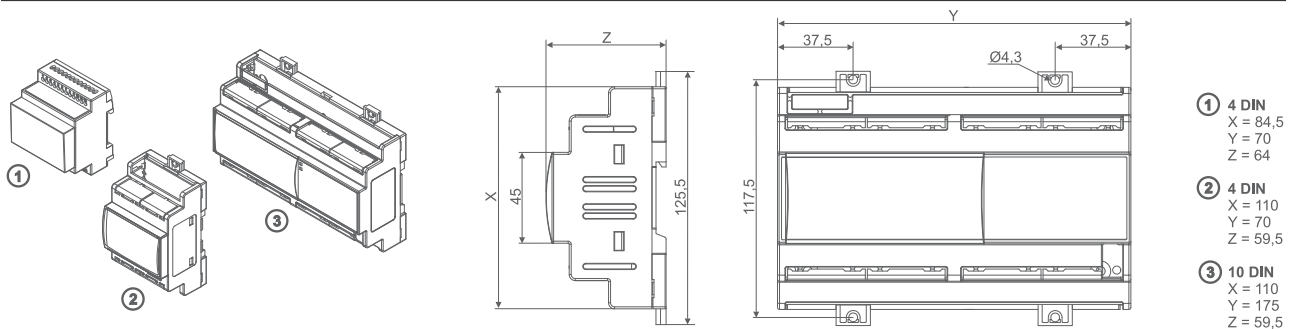
## XT11S, X-REP (31x64) - panel mounting



## 8 DIN (DIN RAIL) - wall or DIN Rail mounting



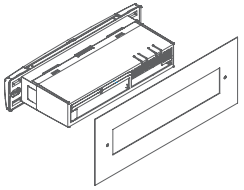
## 4, 10 DIN (DIN RAIL) - wall or DIN Rail mounting



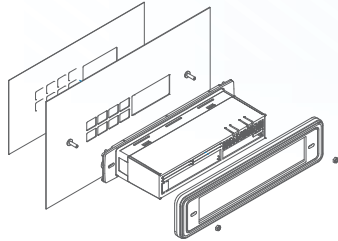
Size in mm

# L(T), LR(T), KEYBOARDS (38x185) - panel mounting

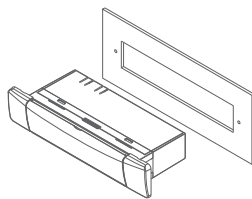
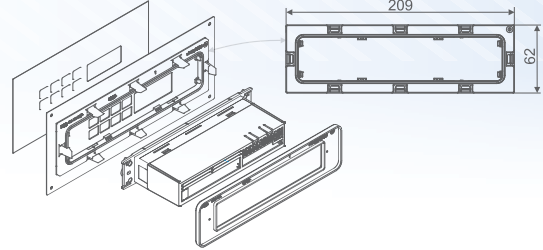
**WING STANDARD, INOX, TOUCH**  
front mounting with screws



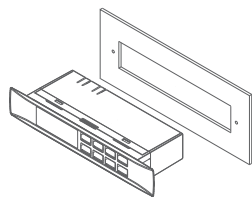
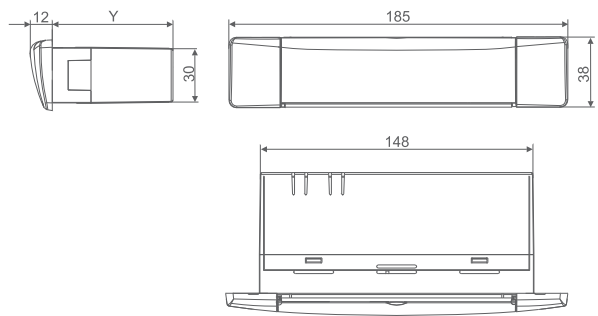
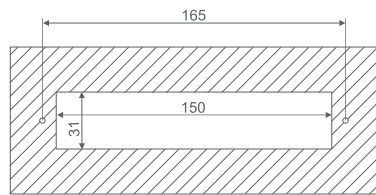
**WING INOX, POLYCARBONATE**  
back-panel mounting with captive screws and PG-L optional



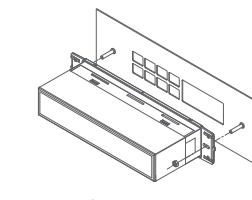
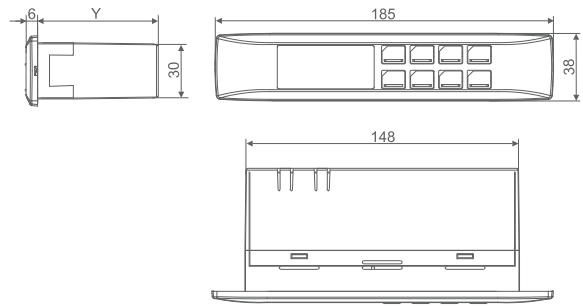
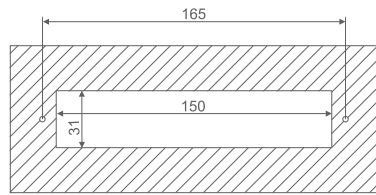
**WING INOX, TOUCH, POLYCARBONATE**  
back-panel mounting with PM-WL(T)



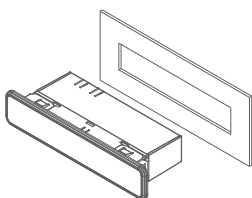
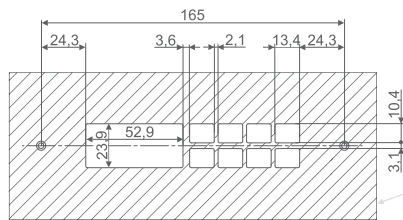
**WING STANDARD**



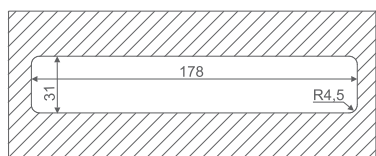
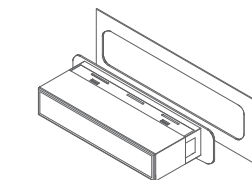
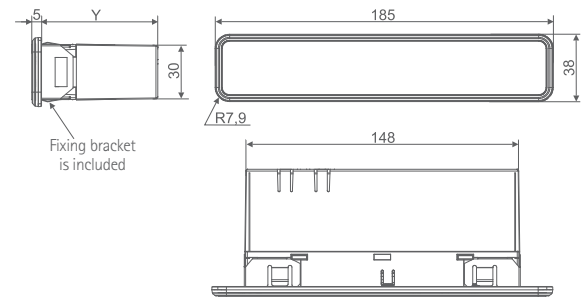
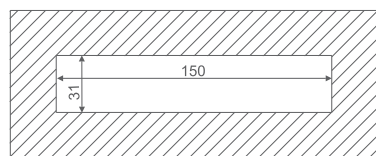
**WING INOX**



**WING INOX/POLYCARBONATE**



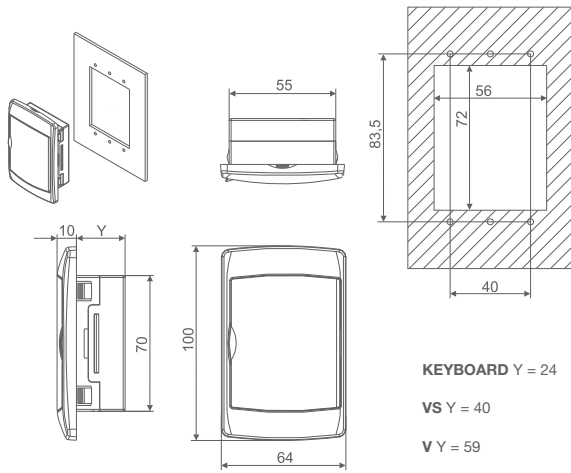
**WING TOUCH**



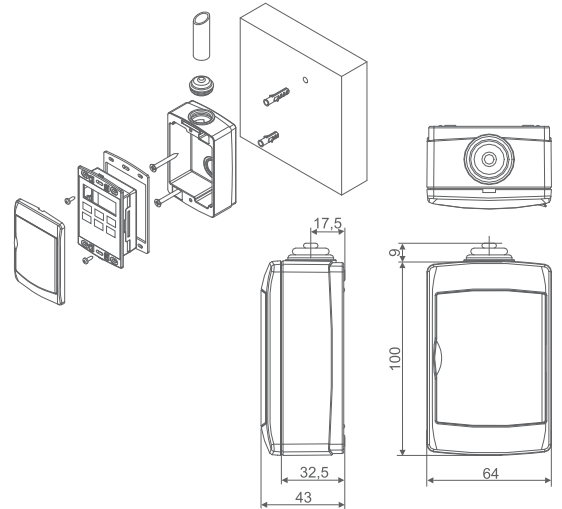
**L(T)** Y = 65      **LR(T)** Y = 40      **KEYBOARD** Y = 23

Size in mm

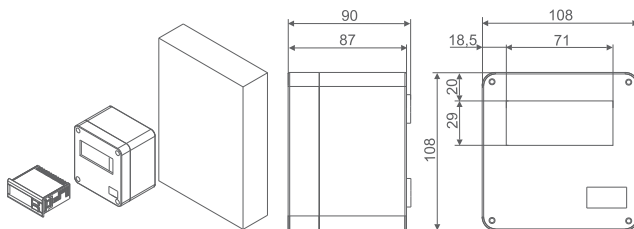
**V, VS, KEYBOARDS (100x64) - panel mounting**



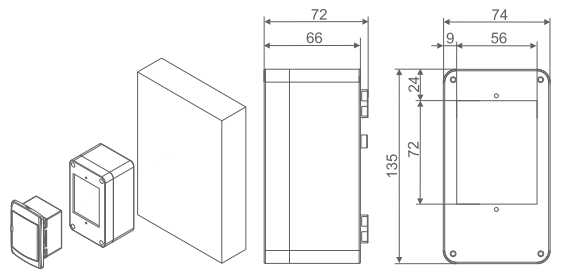
**V-KIT (100x64) - wall mounting**



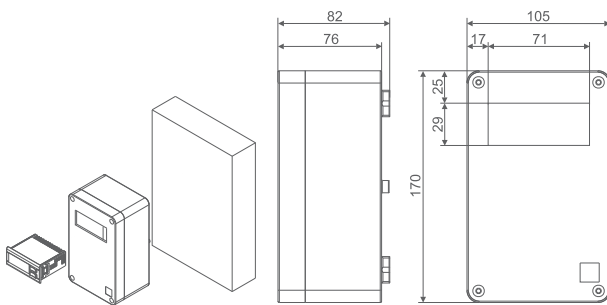
**C-BOX (108x108) - wall mounting**



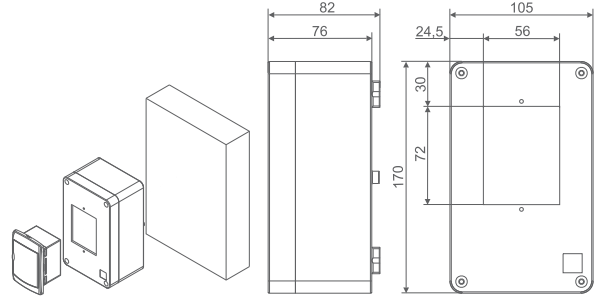
**VS-BOX (135x74) - wall mounting**



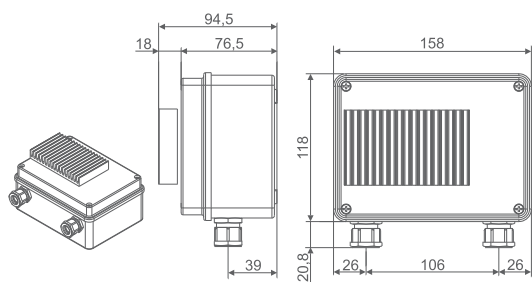
**C-BOX2 (170x105) - wall mounting**



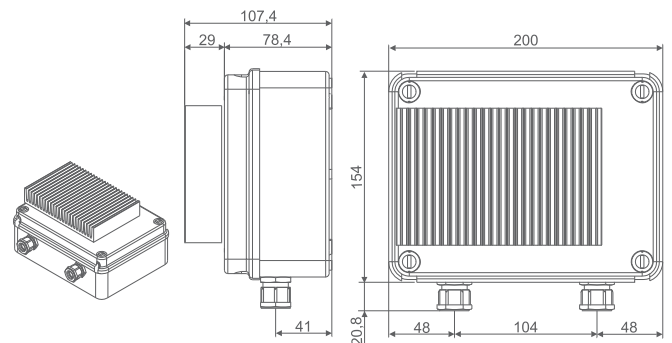
**VS-BOX2 (170x105) - wall mounting**



**XV110K (139x158)**

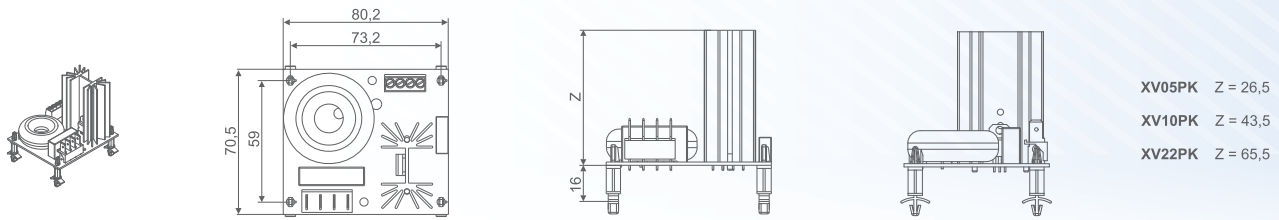


**XV150K (175x200)**

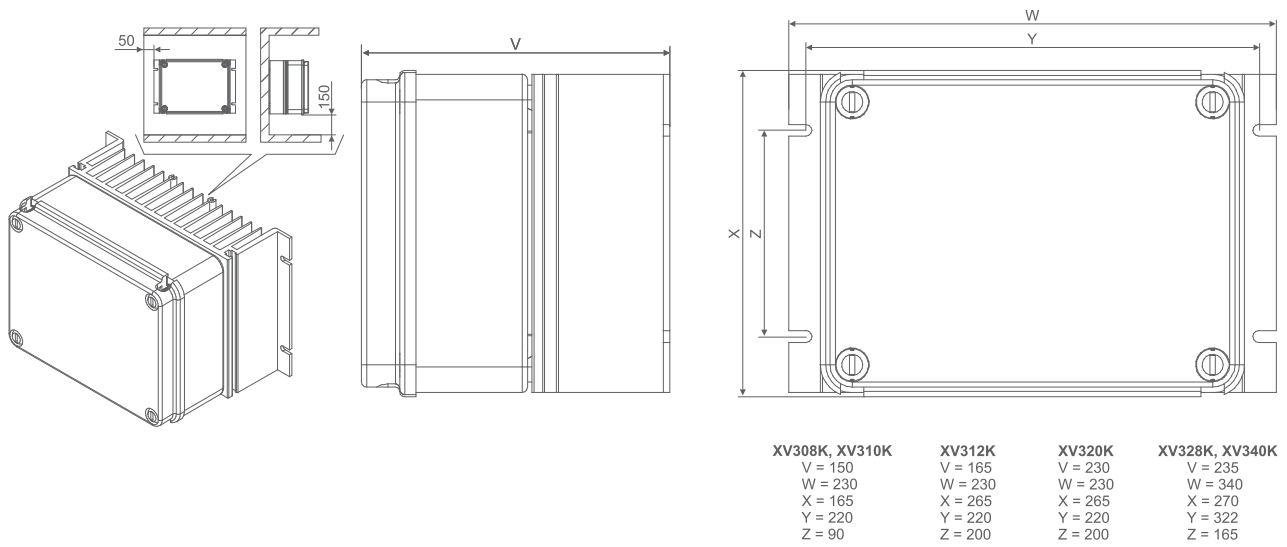


Size in mm

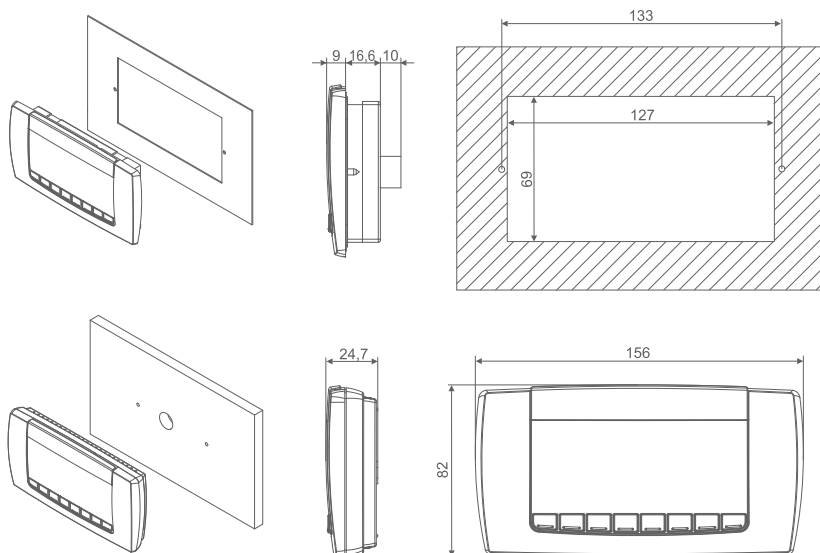
## PK (80x70) - panel mounting



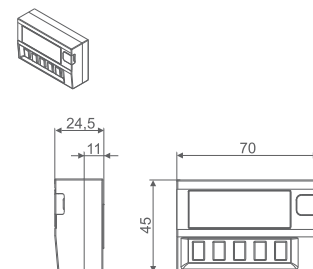
## XV300K - wall mounting



## VISOGRAPH (82x156) - wall or panel mounting

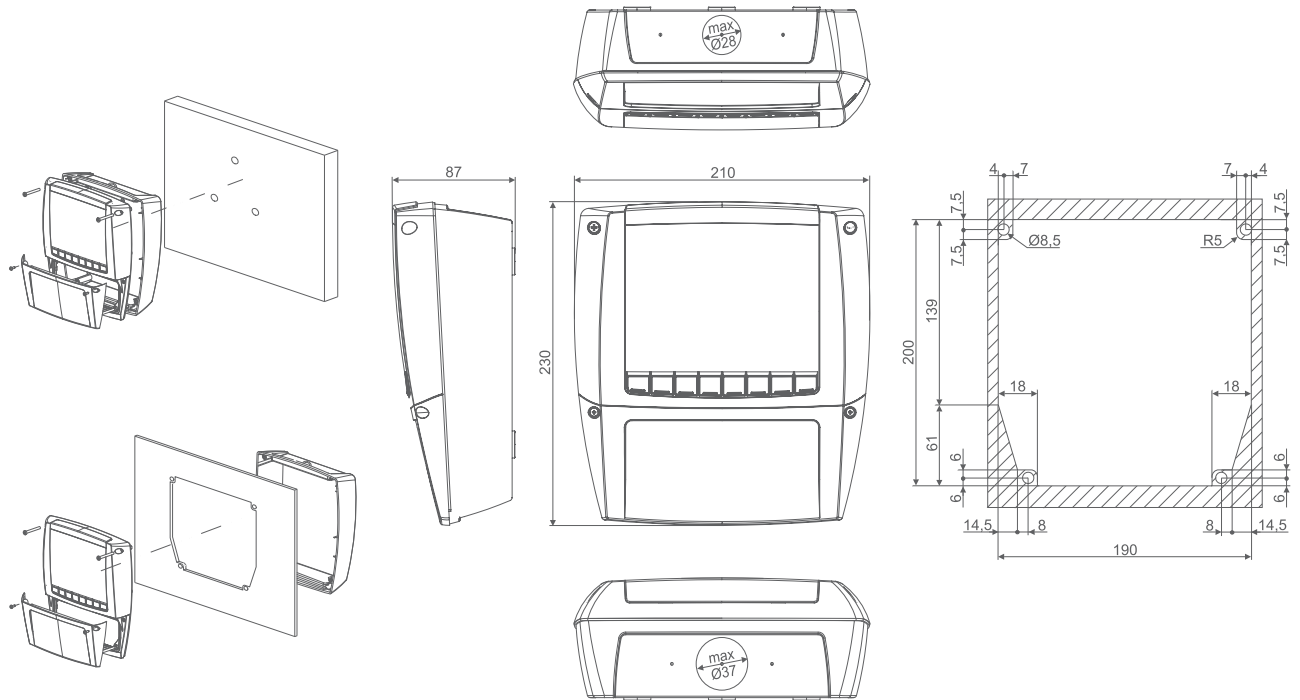


## XDL (45x70) - wall mounting

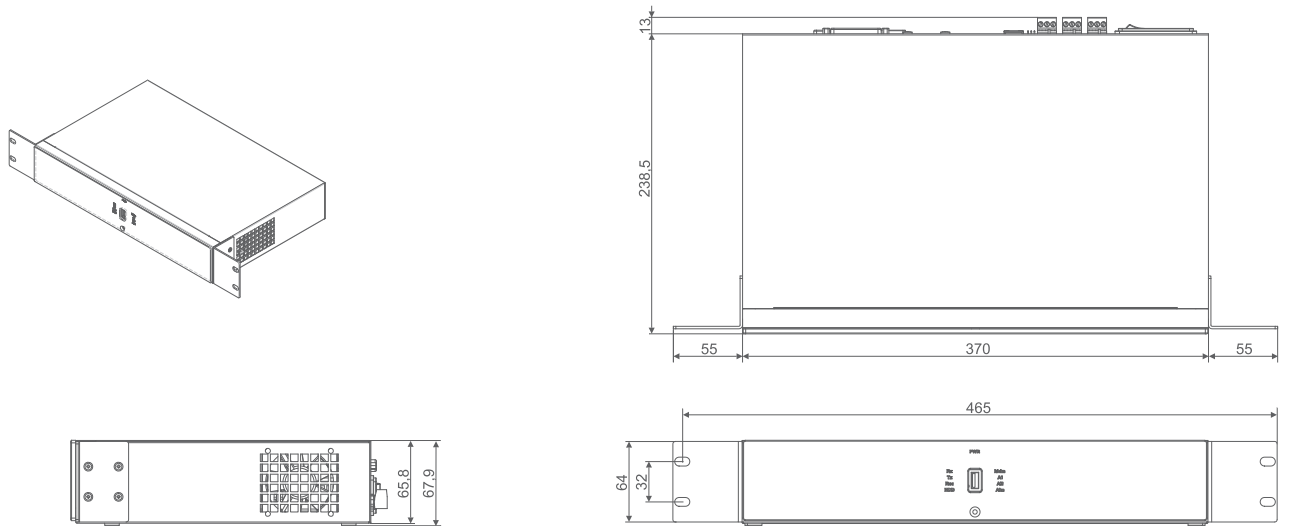


Size in mm

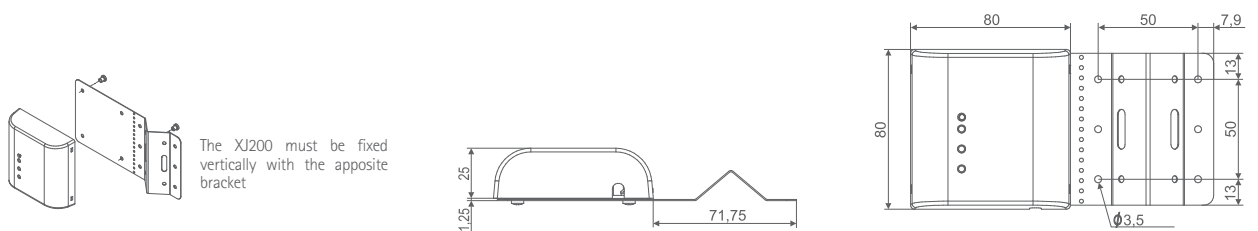
### XLR, XLH, XWEB500 (230x210) - wall or panel mounting



### XWEB3000, XWEB5000 (370x238) - 19" RACK mounting

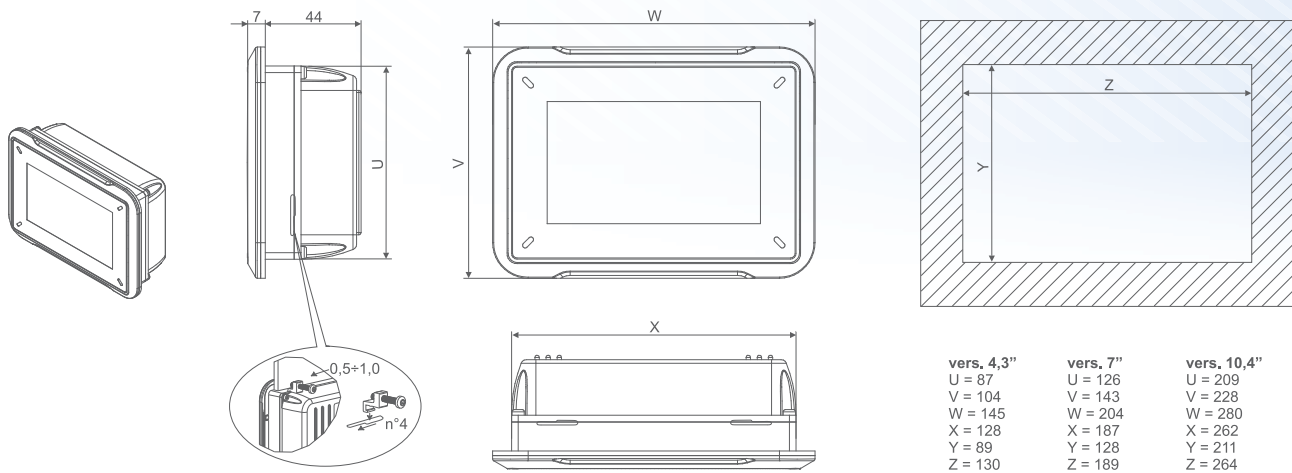


### XJ200 (80x80) - wall or pipemount or shelves mounting



Size in mm

## TGIPG - panel mounting



## GENERAL TECHNICAL FEATURES

The following technical features are ordinary for the products present in this catalogue, other main features can be found on the preliminary section of the series.

### Housing

self extinguishing ABS

### Front protection (with gasket, if available)

S format ➔ IP65  
 C, CX formats and CX keyboards ➔ IP65  
 L(T), LR(T) formats and WING horizontal keyboards ➔ IP65  
 V, VS formats and WING vertical keyboards ➔ IP65  
 XLR, XLH formats ➔ IP65  
 4, 8, 10 DIN formats ➔ IP20  
 VG format ➔ IP65  
 XDL ➔ IP30  
 TGIPG ➔ IP65  
 XJ200 ➔ IP30

### Accuracy

better than 1% of F.S.

### Data storage

EEPROM memory

### Operating temperature

0÷60°C (32÷140°F)

### Storage temperature

-30÷85°C (22÷185°F)

### Relative humidity

20÷85%

### Resolution

0,1°C or 1°F

All trademarks are property of their respective owners.

Dixell reserves the right to alter its products without notice. All rights reserved.

Because environmental conditions are outside of Dixell's control, we cannot assume liability for results obtained or any damages which may occur due to improper application.

Manuals and updates are available on our Web Site [www.dixell.com](http://www.dixell.com).